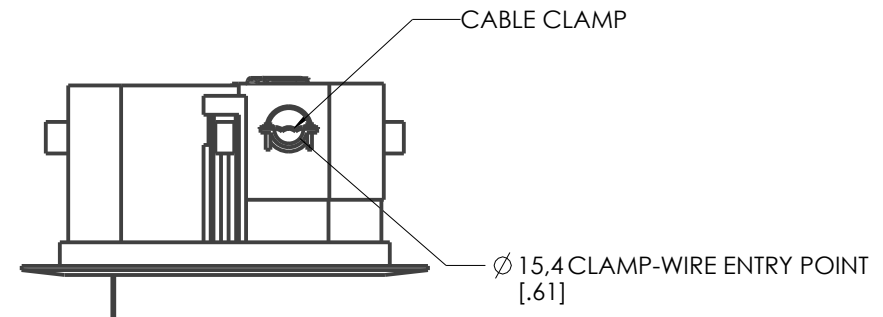
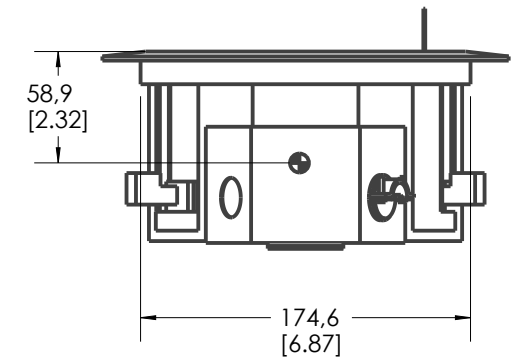
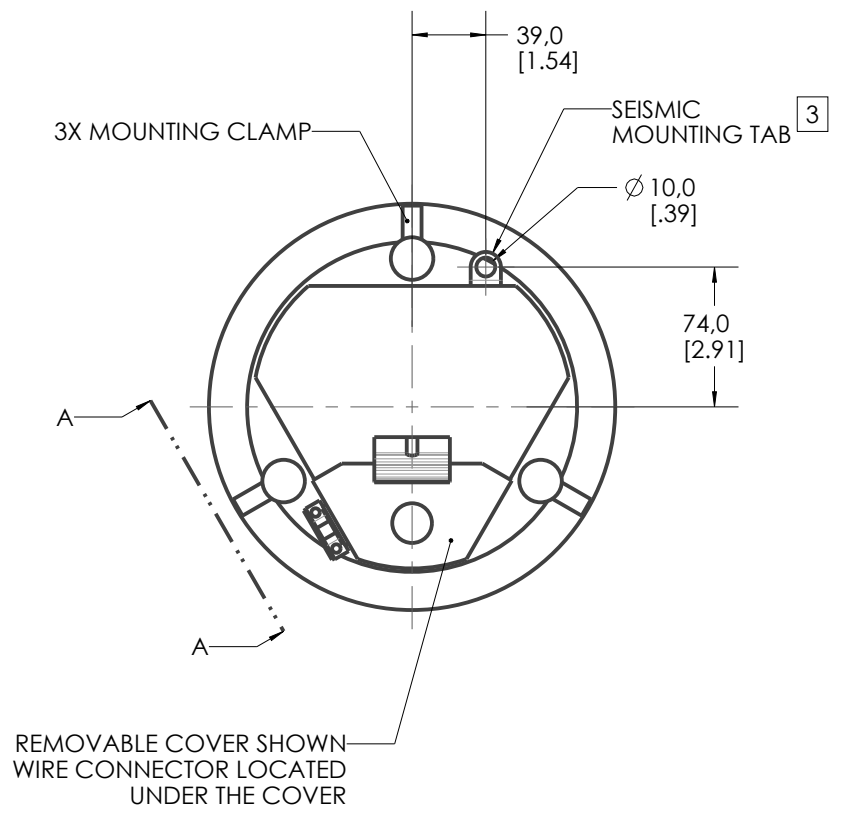
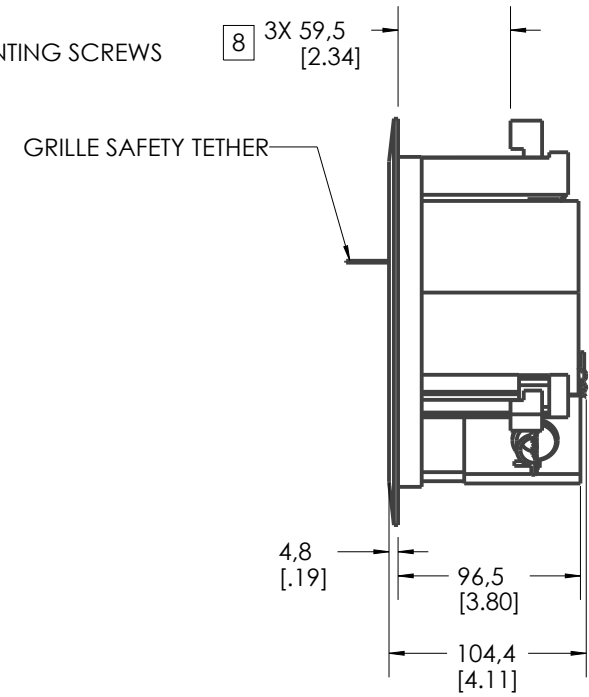
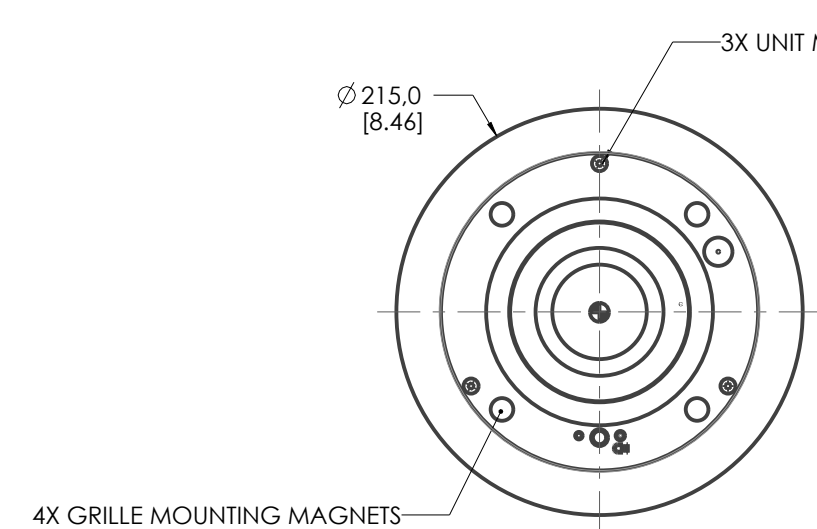
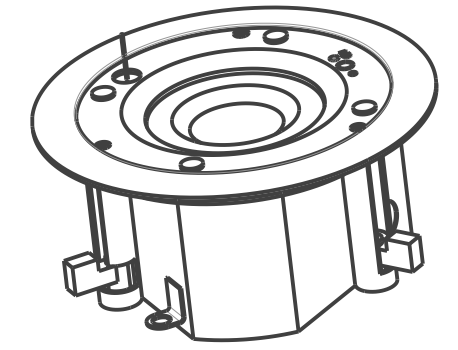


THIS DOCUMENT CONTAINS CONFIDENTIAL OR PROPRIETARY INFORMATION WHICH IS THE PROPERTY OF QSC, LLC, THAT MAY NOT BE DISCLOSED, REPRODUCED OR USED WITHOUT EXPRESS WRITTEN CONSENT FROM QSC, LLC. NO PORTION OF THIS DOCUMENT MAY BE REPRODUCED, REDISTRIBUTED, OR OTHERWISE DISCLOSED TO ANY THIRD PARTY WITHOUT QSC'S WRITTEN PERMISSION.

REVISION		BY	DATE
REV	DESCRIPTION		
A	INITIAL RELEASE	H.HE	27-JUL-21



VIEW A-A



- [8] MOUNTING CLAMP MAXIMUM MATERIAL THICKNESS, 59.5MM.
 - 7. RECOMMENDED CEILING CUTOUT HOLE, \varnothing 178MM.
 - 6. GRILLE NOT SHOWN FOR CLARITY.
 - 5. DIMENSIONS ARE IN MILLIMETERS [INCH].
 - 4. SYMBOL \oplus INDICATES CENTER OF GRAVITY.
 - [3] SEISMIC MOUNTING TAB.
 - 2. PARTS ARE SYMMETRICAL ABOUT CENTER LINES UNLESS OTHERWISE NOTED.
 - 1. NET WEIGHT APPROX 1.6 KG [3.6 LBS].
- NOTE: UNLESS OTHERWISE SPECIFIED.

UNLESS OTHERWISE SPECIFIED DIMENSIONS ARE IN MM [IN]		CAD GENERATED DRAWING DO NOT MANUALLY UPDATE		QSC, LLC 1675 MACARTHUR BOULEVARD COSTA MESA, CA 92626 USA	
TOLERANCES ARE:		APPROVALS		LOUDSPEAKER, NL-C4, CEILING	
DECIMALS	ANGLES	DRAWN BY			
.X ± 3.0[.12]	± 1°	H. HE		SIZE CAGE CODE DWG. NO. REV B 00PW4 FG-901505-2D A	
MATERIAL	SEE NOTES	MECH ENGINEER			
FINISH	SEE NOTES	T. GOSSARD		SCALE: 1:4 CAD FILE: FG-901505-2D.A.5 SHEET: 1 OF 1	
DO NOT SCALE DRAWING		TECH DIRECTOR			
PROJECTION SYMBOL		J. SANDERS		Form: QMS100206 Rev C	
		MFG ENGINEER			
		M. LUO			