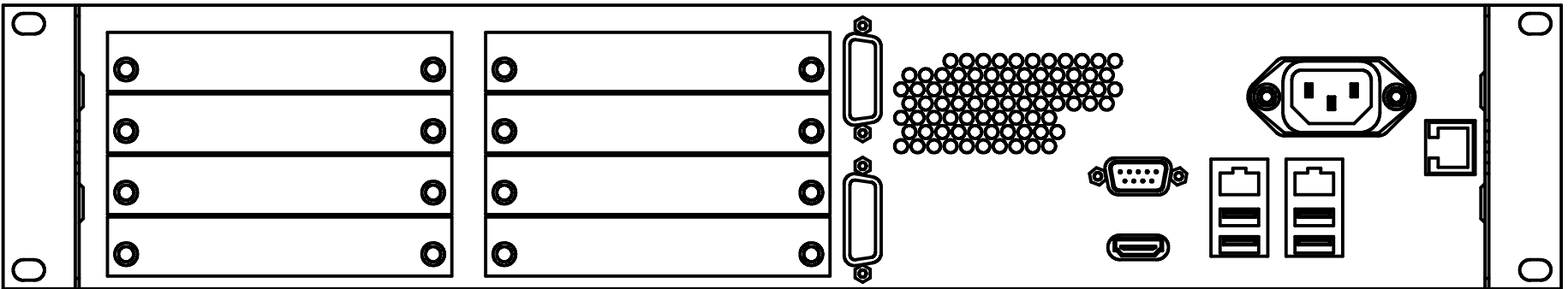
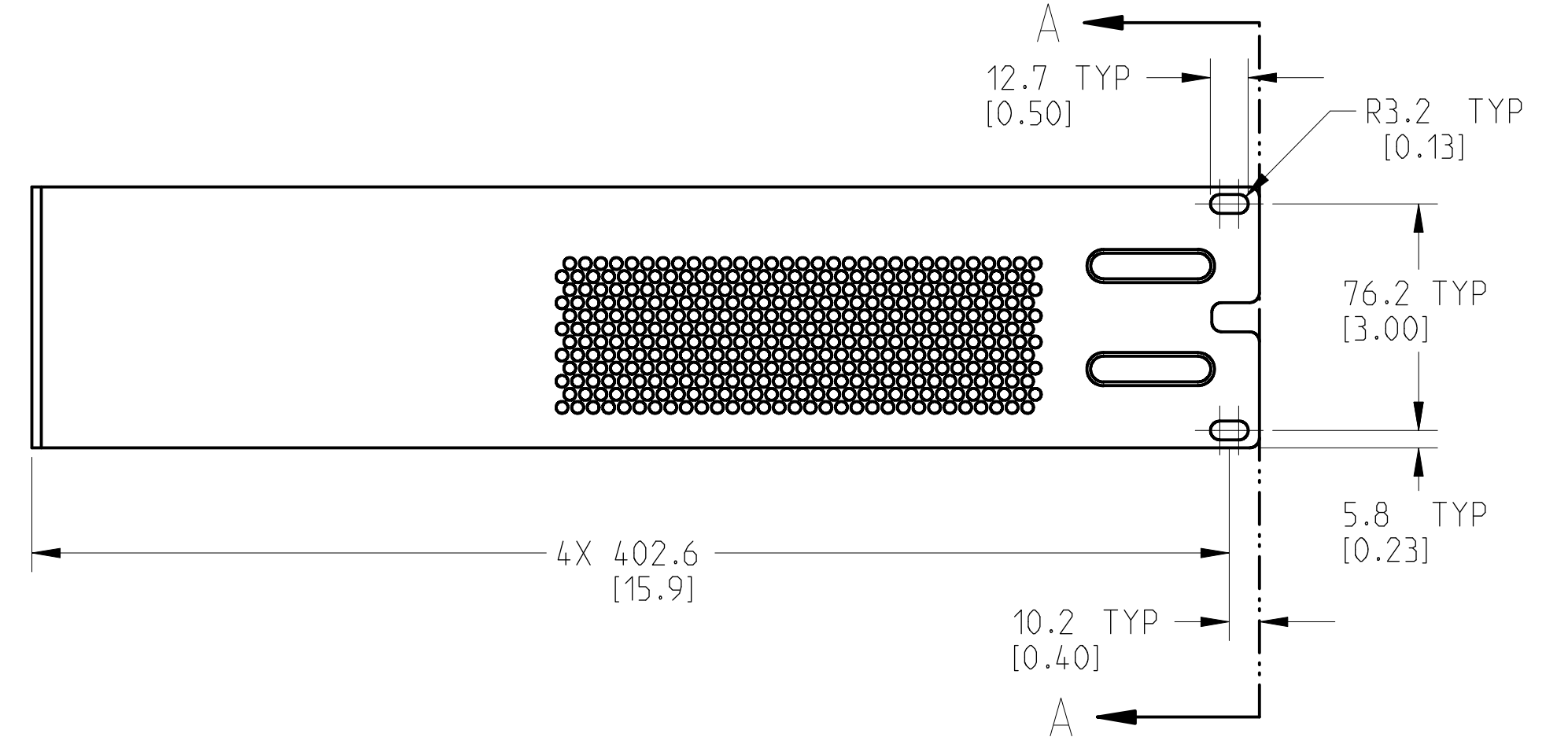
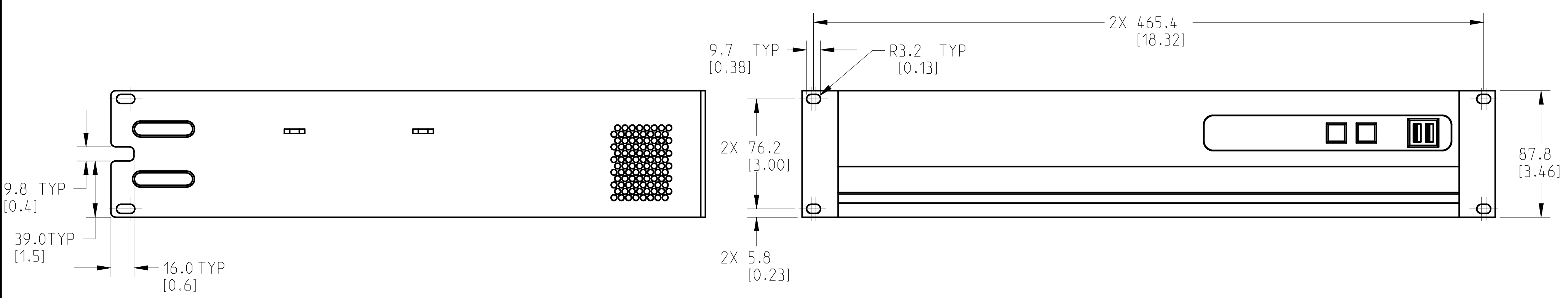
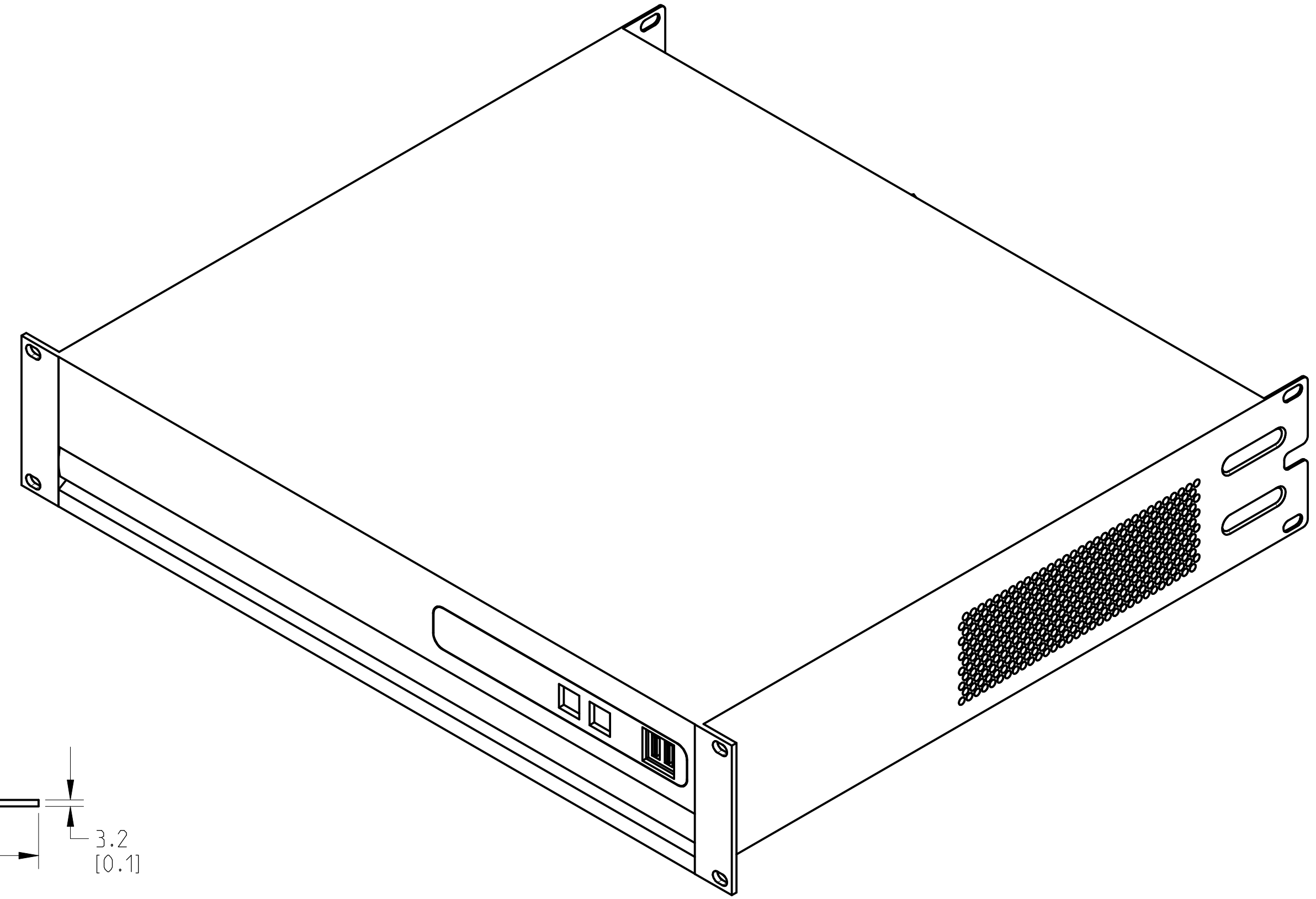
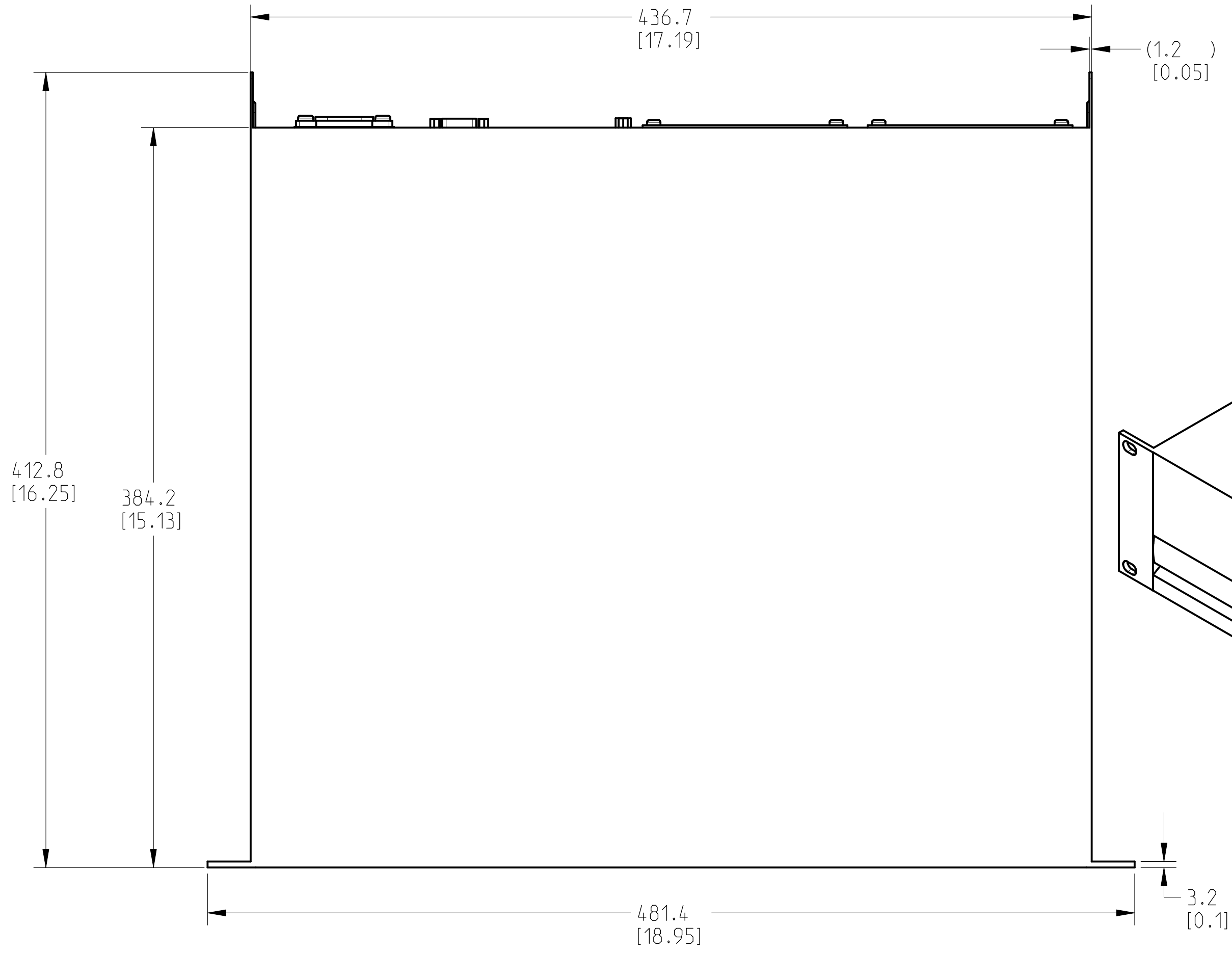


THIS DOCUMENT CONTAINS PROPRIETARY INFORMATION WHICH IS THE PROPERTY OF QSC, LLC. THAT MAY NOT BE DISCLOSED, REPRODUCED OR USED WITHOUT EXPRESS WRITTEN CONSENT FROM QSC, LLC.

REVISIONS			
REV	DESCRIPTION	BY	DATE
A	RELEASE FOR SALES AND MARKETING	ES	6-JUN-17



VIEW A-A
REAR VIEW

- 3. DIMENSIONS ARE IN MILLIMETERS [INCH].
- 2. TOLERANCES (MM): X ± 3, ANGLES: ± 1°.
- 1. NET WEIGHT APPROX. 6.58 KG [14.5 LBS].

NOTES: UNLESS OTHERWISE SPECIFIED

UNLESS OTHERWISE SPECIFIED DIMENSIONS IN MILLIMETERS (IN) TOLERANCES ARE: DECIMALS DECIMALS ANGLES -X±.5(.02) .XX±.25(.01) ± 1/2 DECURR EDGES .25 (1.01) R MAX	DESIGNER	QSC, LLC 1675 MACARTHUR BOULEVARD COSTA MESA, CA 92626	SIZE	CAGE CODE	DRAWING NO.	REV	
	ENGINEER		D	00PW4	FG-118070-2D	A	
	TECHNICAL DIRECTOR		SCALE	0.500	DO NOT SCALE DRAWING	SHEET	1 OF 1
	MANUFACTURING ENGINEER						
MATERIAL	DESIGNER	ENG. SERVICES					
FINISH	ENGINEER						
	TECHNICAL DIRECTOR						
	MANUFACTURING ENGINEER						
	DRAWING INFO: FG-118070-2D.A.0						
	MODEL INFO: FG-118080-3D.A.1						