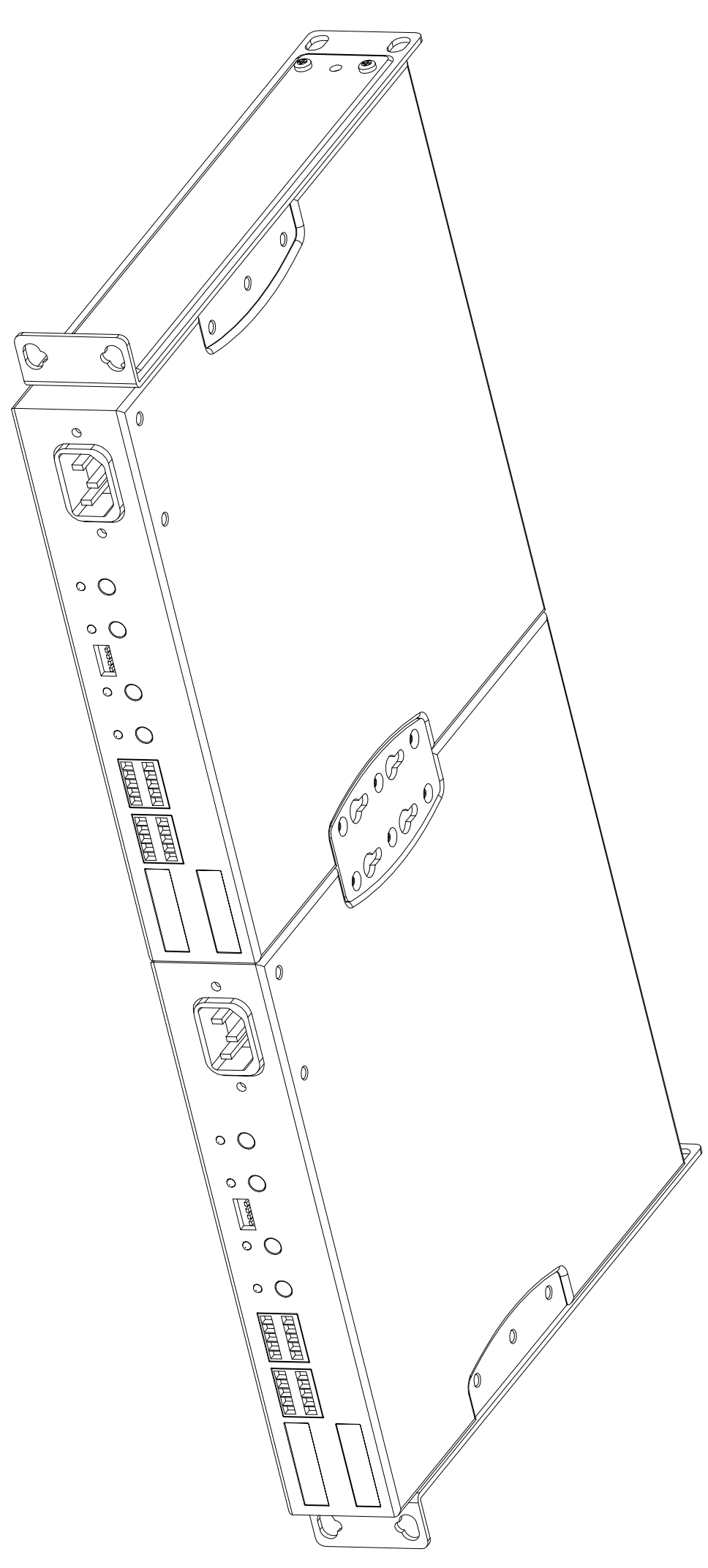
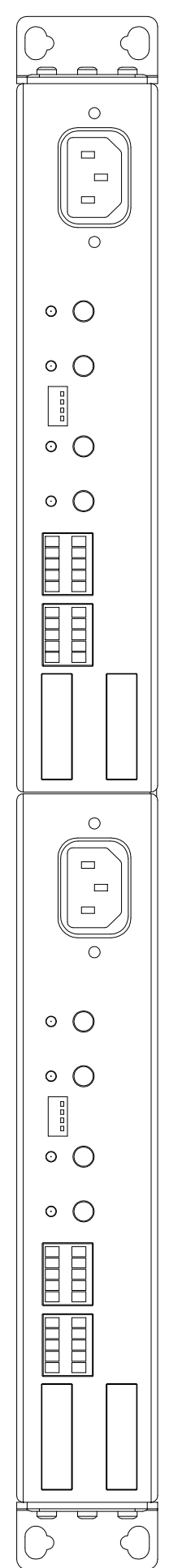
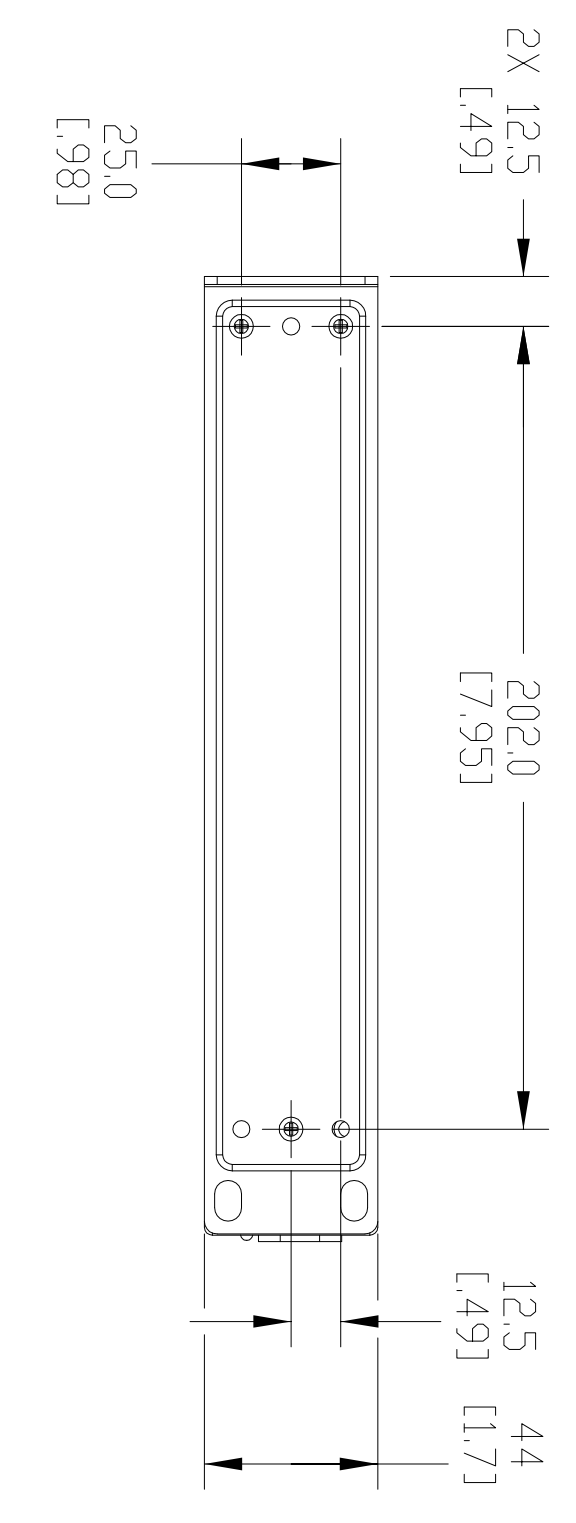
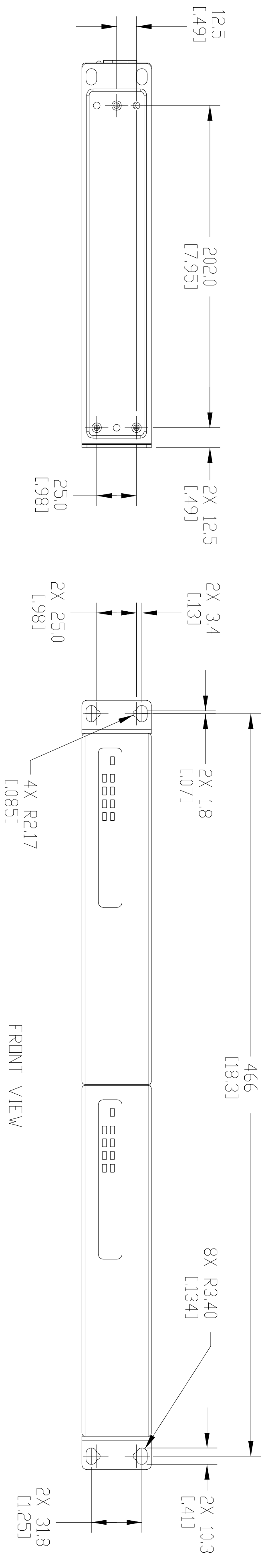
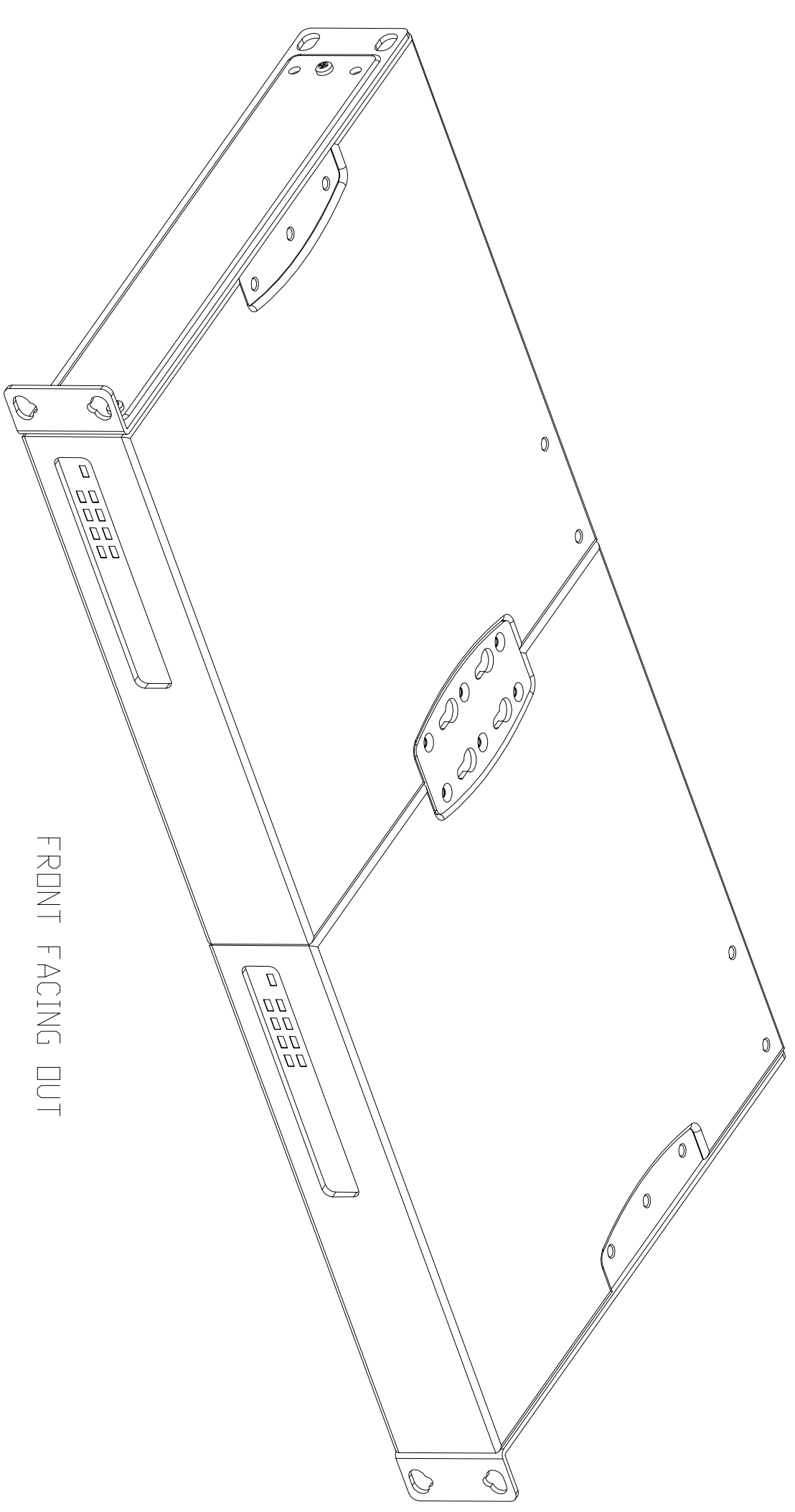
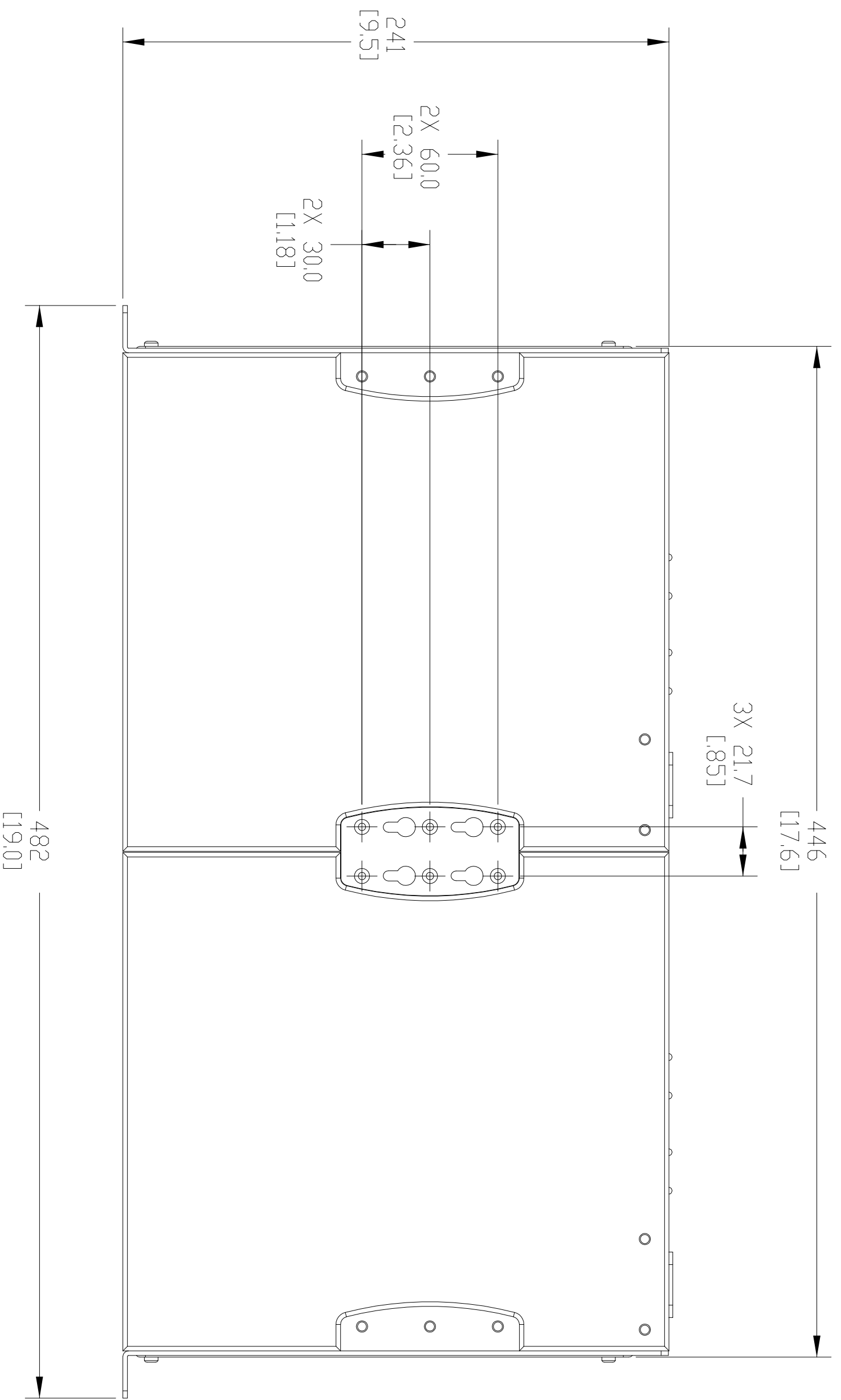


THIS DOCUMENT CONTAINS PROPRIETARY INFORMATION AND IS THE PROPERTY OF OSC AUDIO PRODUCTS. IT MAY NOT BE DISCLOSED, REPRODUCED OR USED WITHOUT EXPRESS WRITTEN CONSENT FROM OSC AUDIO PRODUCTS.

REVISITONS		BY	DATE
REV	DESCRIPTION		



6. THE FRONT MOUNTING CONFIGURATION IS DIMENSIONED, THE REAR MOUNTING CONFIGURATION IS SIMILAR.

5. MEETS UL2043 WITH PLENUM KIT FG-000995-00.
4. MEETS ENERGYSTAR REQUIREMENTS.
3. CHASSIS DESIGNED TO MEET 1U RACK MOUNT SPECIFICATION IEC60297-3-100.
2. FEATURES SYMMETRICAL ABOUT CENTERLINE.
1. NET WEIGHT OF SPA4-100 APPROX. 14 KG (4.0 LBS). HARDWARE IS ADDITIONAL WEIGHT.

NOTES: UNLESS OTHERWISE SPECIFIED.

DESIGNER		ENGINEERING SERVICES		OSC AUDIO PRODUCTS, LLC	
TOLERANCES ARE		ANGLES		1675 MACARTHUR BOULEVARD	
DECIMALS		1/2		COSTA MESA, CA 92626	
X .3002		XX .2500		SPA4-100, TANDEM MOUNT,	
DANGER EDGES .25 (1.00) R MAX		TECHNICAL DIRECTOR		19-INCH	
MATERIAL		MANUFACTURING ENGINEER		SIZE	
FINISH		DRAWING INFO		D	
		MODEL INFO		SCALE	
				0.5000 DO NOT SCALE DRAWING	
				SHEET	
				1 OF 1	
				REV	

8 7 6 5 4 3 2 1