

# HDL 36-AS

## ACTIVE FLYABLE SUBWOOFER MODULE

### DESCRIPTION

The HDL 36-AS is the ideal flyable bass complement for the HDL 28-A array system. It features one 4.0" voice coil, 15" neodymium woofer to handle 135 dB SPL Max from 40 Hz to 140 Hz with the maximum linearity and low distortion. The built-in 3200 watts class-D amplifier delivers excellent playback clarity and up to 135 decibels SPL max. Due to its compatibility with RDNet - remote monitoring and control, the HDL 36-AS is part of the professional HDL System.



### FEATURES

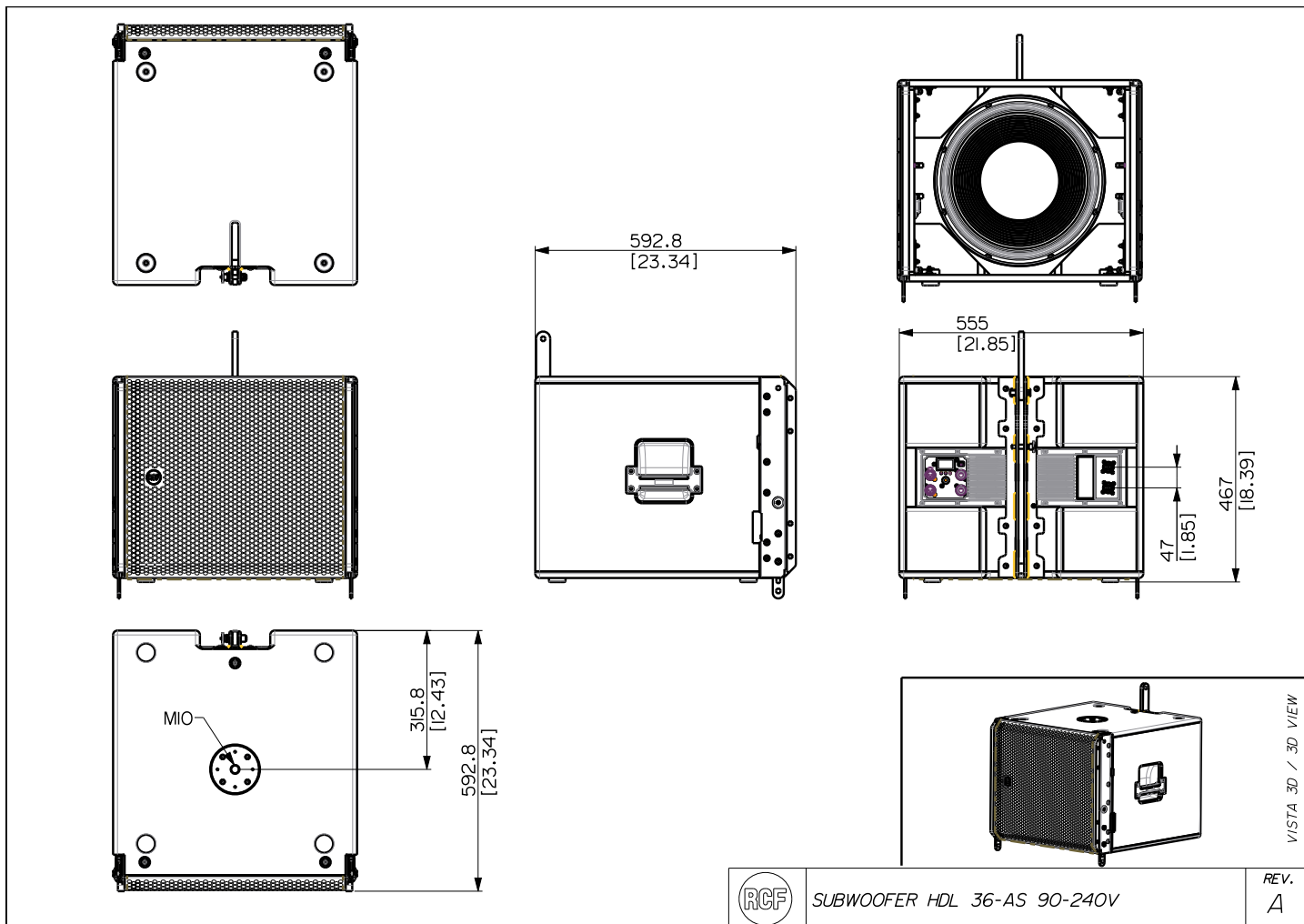
- 135 dB Max SPL
- 3200W Class-D Amplifier
- 40-140 Hz frequency response
- RDNet Networked Management
- 15" Neodymium Woofer, 4.0" voice coil

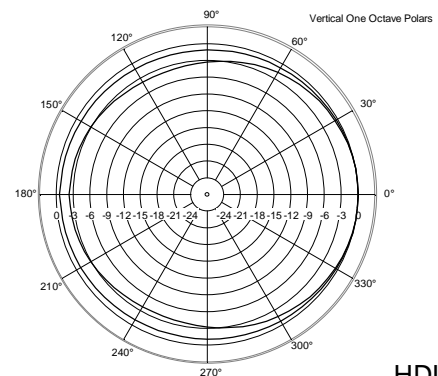
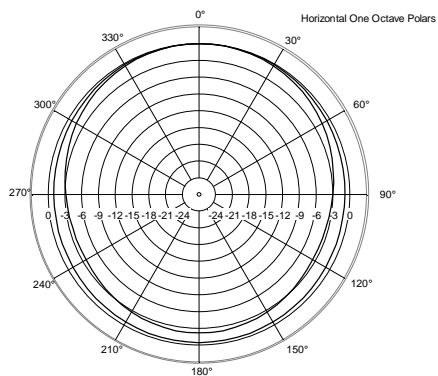
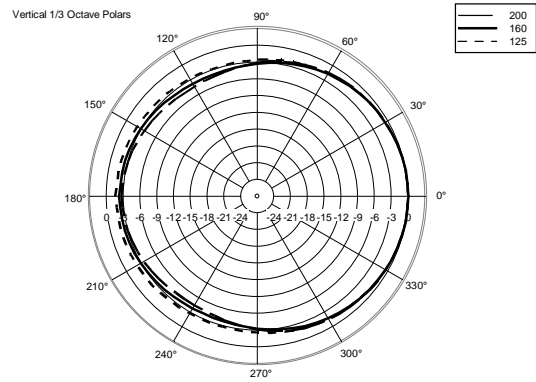
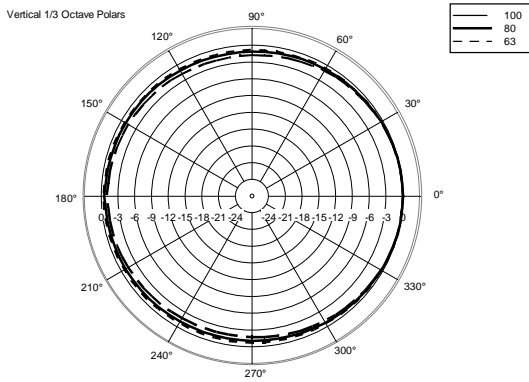
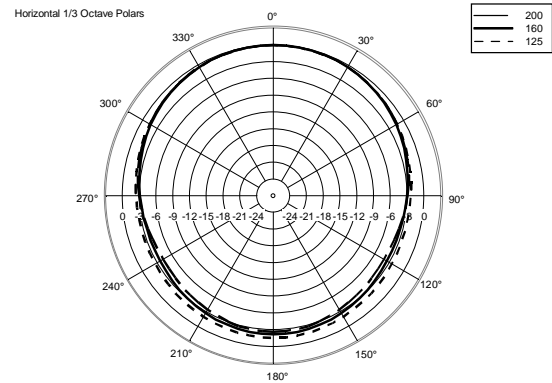
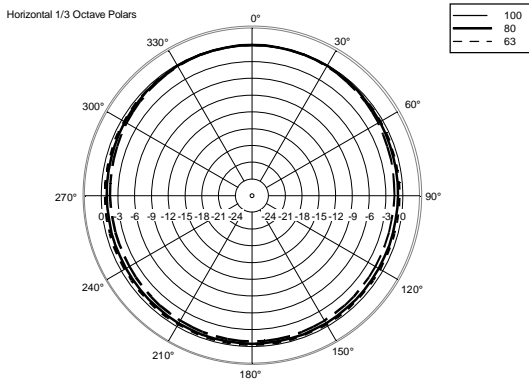
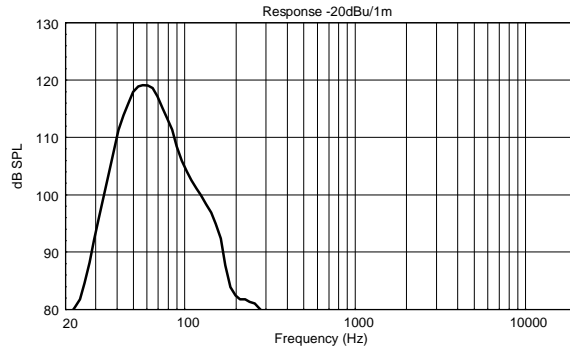
## TECHNICAL SPECIFICATIONS

<b>Acoustical specifications</b>	Frequency Response:	40 Hz ÷ 140 Hz
	Max SPL @ 1m:	135 dB
<b>Transducers</b>	Woofers:	15" neo, 4.0" v.c
<b>Input/Output section</b>	Input signal:	bal/unbal
	Input connectors:	XLR, RDNet Ethercon
	Output connectors:	XLR, RDNet Ethercon
	Input sensitivity:	+4 dBu
<b>Processor section</b>	Protections:	Thermal, RMS
	Limiter:	Soft Limiter
	Controls:	Volume, Preset selection, RDnet on board
	RDNet:	Yes
<b>Power section</b>	Total Power:	3200 W Peak, 1600 W RMS
	Low frequencies:	3200 W Peak, 1600 W RMS
	Cooling:	Convection
	Connections:	Powercon IN/OUT
<b>Standard compliance</b>	Safety agency:	CE compliant
<b>Physical specifications</b>	Cabinet/Case Material:	Baltic birch plywood
	Hardware:	Array fittings 1 X M20
	Handles:	2 Side
	Grille:	Steel
	Color:	Black, White - RAL 9003
<b>Size</b>	Height:	467 mm / 18.39 inches
	Width:	555 mm / 21.85 inches
	Depth:	593 mm / 23.35 inches
	Weight:	37 kg / 81.57 lbs
<b>Shipping information</b>	Package Height:	500 mm / 19.69 inches
	Package Width:	570 mm / 22.44 inches
	Package Depth:	610 mm / 24.02 inches
	Package Weight:	40 kg / 88.18 lbs

## PART NUMBER

- **13000583**
- HDL 36-AS
- Black
- EAN 8024530017132





**ACCESSORIES**

AC 2X AZIMUT PLATE

PART NUMBER **13360351**  
EAN: 8024530013516



AC POWER CABLE 6X TTL55

PART NUMBER **13360138**  
EAN:



CABLES KIT CBL ETHERCON 3M

PART NUMBER **12399035**  
EAN: 8024530013868



CABLES KIT CBL LK 25 MULTIPIN 10M

PART NUMBER **12399023**  
EAN: 8024530013837



CABLES KIT CBL LK 25 MULTIPIN 20M

PART NUMBER **12399022**  
EAN: 8024530013820



CABLES KIT CBL LKS 19 ARRAY FANOUT

PART NUMBER **12399024**  
EAN: 8024530013905



CABLES KIT CBL LKS 19 BREAKOUT

PART NUMBER **12399026**  
EAN: 8024530013929



CABLES KIT CBL LKS 19 POWER 10M

PART NUMBER **12399027**  
EAN: 8024530013936



CABLES KIT CBL LKS 19 SUB FANOUT

PART NUMBER **12399025**  
EAN: 8024530013912



CABLES KIT CBL LKS 25-2 FANOUT

PART NUMBER **12399021**  
EAN: 8024530013813

CABLES KIT CBL POWER BOX 6X

PART NUMBER **13360145**  
EAN: 8024530015534

CABLES KIT CBL POWERCON LINK 0.7M

PART NUMBER **12399031**  
EAN: 8024530013738

CABLES KIT CBL POWERCON LINK 1.5M

PART NUMBER **12399030**  
EAN: 8024530013721

CABLES KIT CBL POWERCON LINK 10M

PART NUMBER **12399028**  
EAN: 8024530013707

CABLES KIT CBL POWERCON LINK 5M

PART NUMBER **12399029**  
EAN: 8024530013714

COVER CVR 3X HDL 36

PART NUMBER **13360434**  
EAN: 8024530017491

FLY BAR FL-B HDL 28

PART NUMBER **13360411**  
EAN: 8024530016258

FLY BAR PICKUP FL-B PK HDL 30

PART NUMBER **13360394**  
EAN: 8024530015220

HOIST SPACING CHAIN CH 001

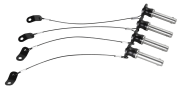
PART NUMBER **13360129**  
EAN: 8024530020774



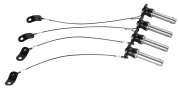
KART WITH WHEELS KRT-WH 3X HDL 36

PART NUMBER **13360431**  
EAN: 8024530016784

LKS 19-20 POWER CABLE

PART NUMBER **13360146**  
EAN: 8024530013943

QUICK LOCK PIN QL-PIN D9.6 L21.3 4X

PART NUMBER **13360219**  
EAN: 8024530015763

QUICK LOCK PIN QL-PIN D9.6 L26.9 4X

PART NUMBER **13360220**  
EAN: 8024530015770

QUICK LOCK PIN QL-PIN D9.6 L31 4X

PART NUMBER **13360222**  
EAN: 8024530015787

RAIN PROTECTION RP 1X HDL 30

PART NUMBER **13360388**  
EAN: 8024530015138