

1

2

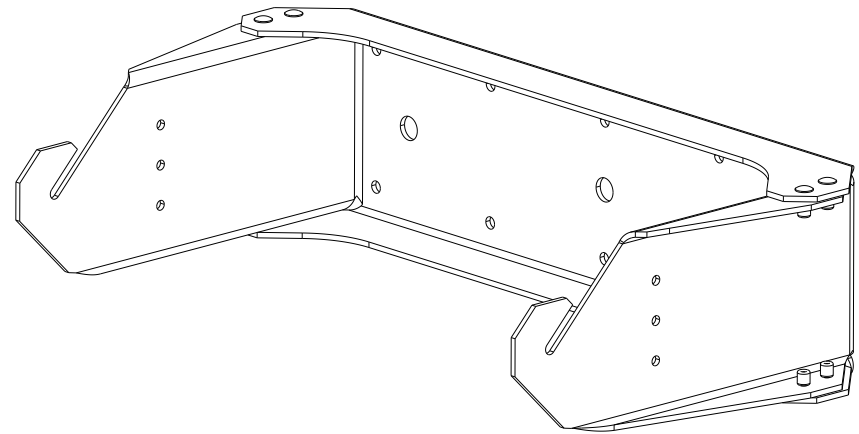
3

4

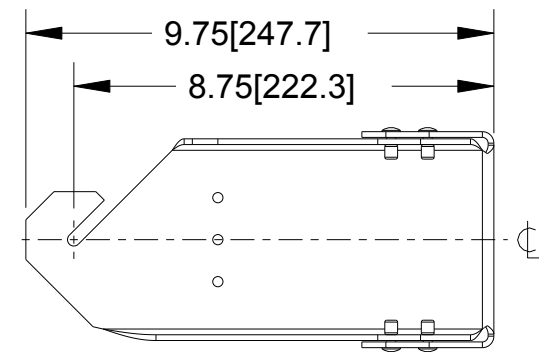
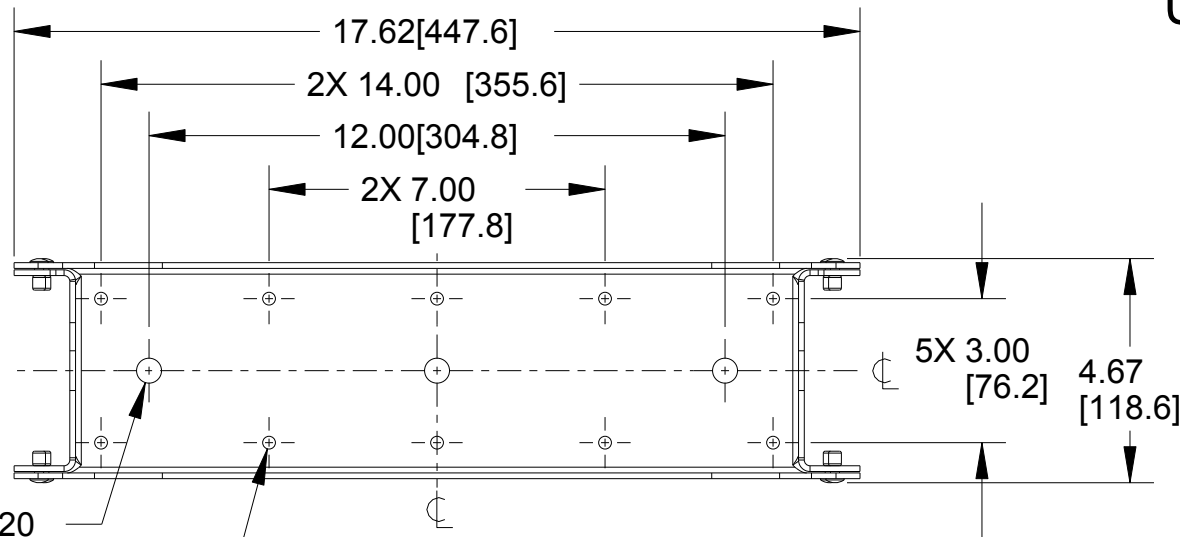
NOTES:

- 1. WEIGHT APPROX. 6.8 lb [3.1 kg]
- 2. SHIPPING WEIGHT APPROX. 10.0 lb [4.5 kg]
- 3. WEIGHT LOAD LIMIT: 16.0 lb [7.3 kg]

REV	CHANGE NUMBER	DATE
A	ECOWHT8743	7/3/12



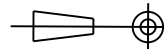
UBKT-V6U



3X \varnothing 0.520 [13.21]

10X \varnothing 0.266 [6.76]

THIRD ANGLE PROJECTION



THE INFORMATION CONTAINED
HEREIN IS PROPRIETARY AND
CONFIDENTIAL PROPERTY OF
LOUD TECHNOLOGIES, INC.
ALL RIGHTS RESERVED

UNLESS OTHERWISE SPECIFIED:
ALL DIMENSIONS ARE IN INCHES
DUAL [MM] DIMENSIONS
FOR REF ONLY

TOLERANCE IN INCHES
LINEAR ± 0.13 in / ± 3.3 mm
ANGLES $\pm 1^\circ$

(X.XX) = REF DIMS
NO TOLERANCE IMPLIED

TSC = THEORETICAL SHARP CORNER

DIMENSIONS ACROSS CENTERLINES
TO BE SYMMETRICAL

EAW www.eaw.com

TITLE: **DWG CUSTOMER
UBKT-V6U U-BRACKET
[MECHANICAL SPECIFICATION]**

A

SHEET 1 OF 1

SCALE:
0.250

DRAWING NUMBER:

2039420-CD

REVISION:

A

1

2

3

4

PRO ENGINEER