

TTW 4-A

WIDE DIRECTIVITY ACTIVE TWO-WAY SPEAKER

DESCRIPTION

The TTW 4-A point source speaker module delivers top-quality sound for highly demanding events indoors or outdoors on small to medium-sized areas. Its design provides the audio engineer with the best tonal balance and intelligibility while maintaining an unobtrusive and adaptable footprint. It is especially suitable for stacked and flown systems when a wide dispersion is required. With all the advantages of TT+ technology, such as coherent directivity, power, and precision, it's designed for professional applications.



FEATURES

- 134 dB max SPL
- 100° x 50° coverage
- LF 2 x 10" neodymium woofer, 3.0" voice coil
- HF 1.5" Nd comp. driver 4.0" voice coil
- 2 x Class-D amplifiers, 1600 Watt RMS total power
- 45 - 20.000 Hz frequency range
- RDNet on board
- FiRPHASE 0° linear phase

TECHNICAL SPECIFICATIONS

Acoustical specifications	Frequency Response:	45 Hz ÷ 20000 Hz
	Max SPL @ 1m:	134 dB
	Horizontal coverage angle:	100°
	Vertical coverage angle:	50°
Transducers	Compression Driver:	1 x 1.5" neo, 4.0" v.c
	Woofers:	2 x 10" neo, 3.0" v.c
Input/Output section	Input signal:	bal/unbal
	Input connectors:	XLR, RDNet Ethercon
	Output connectors:	XLR, RDNet Ethercon
	Input sensitivity:	+4 dBu
Processor section	Crossover Frequencies:	900Hz
	Protections:	Thermal, RMS
	Limiter:	Fast Limiter
	Controls:	Selectable preset, volume, delay
	RDNet:	Yes
Power section	Total Power:	3200 W Peak, 1600 W RMS
	High frequencies:	1200 W Peak, 600 W RMS
	Low frequencies:	2000 W Peak, 1000 W RMS
	Cooling:	Convection
	Connections:	Powercon IN/OUT
Standard compliance	CE marking:	Yes
Physical specifications	Cabinet/Case Material:	Baltic birch plywood
	Hardware:	Array fittings, 2xM10 on the top, 2xM8 on each side
	Handles:	2 Side, 2 Rear
	Pole mount/Cap:	Yes
	Grille:	Steel
	Color:	Black
Size	Height:	825 mm / 32.48 inches
	Width:	316 mm / 12.44 inches
	Depth:	369 mm / 14.53 inches
	Weight:	30.4 kg / 67.02 lbs
Shipping informations	Package Height:	410 mm / 16.14 inches
	Package Width:	865 mm / 34.06 inches
	Package Depth:	365 mm / 14.37 inches
	Package Weight:	33.5 kg / 73.85 lbs

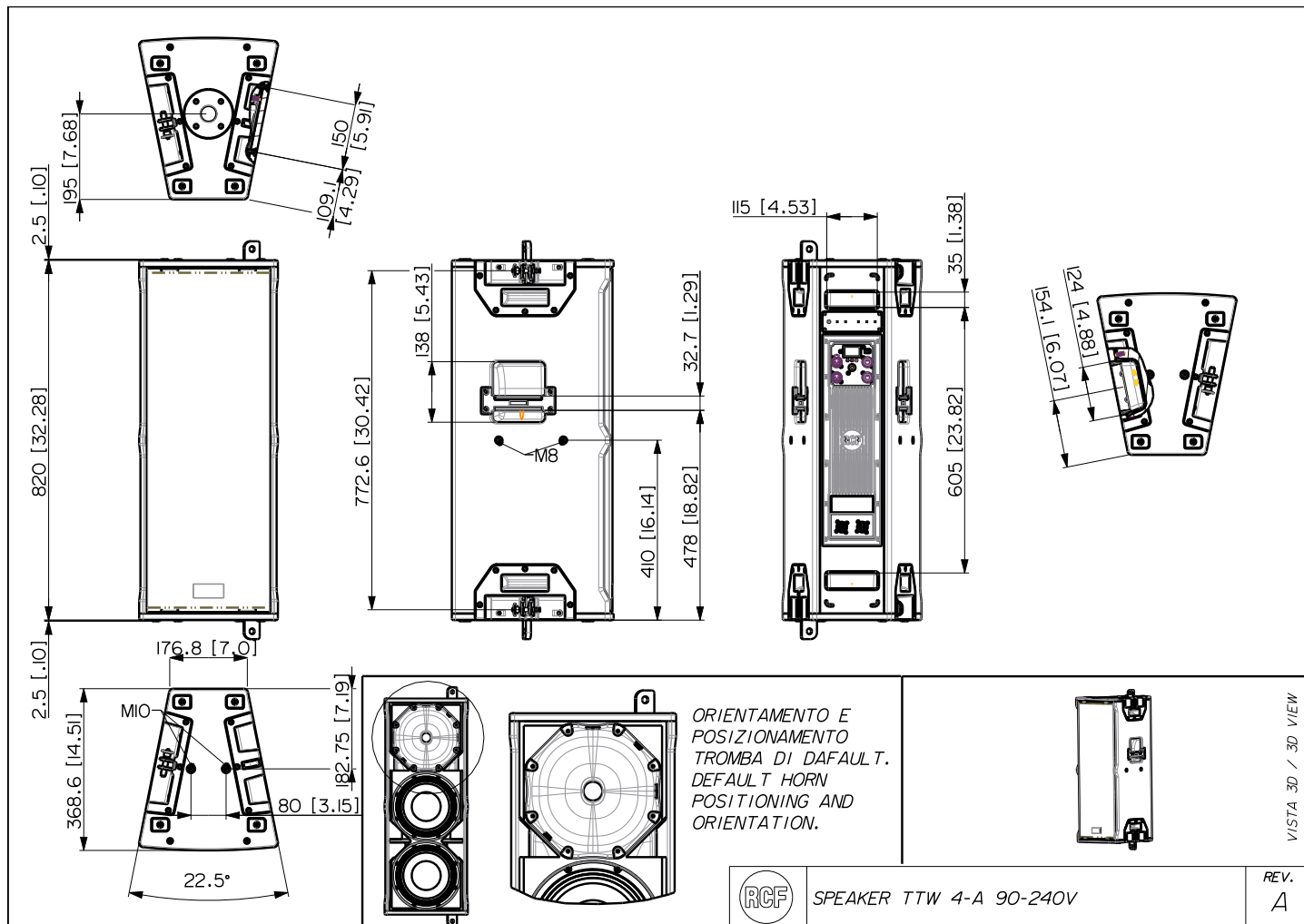


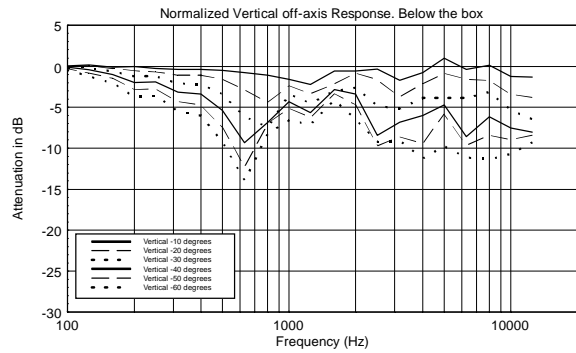
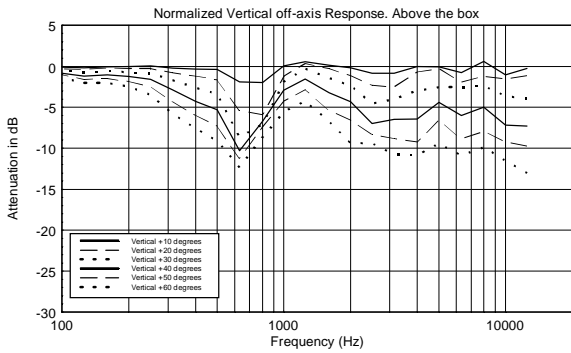
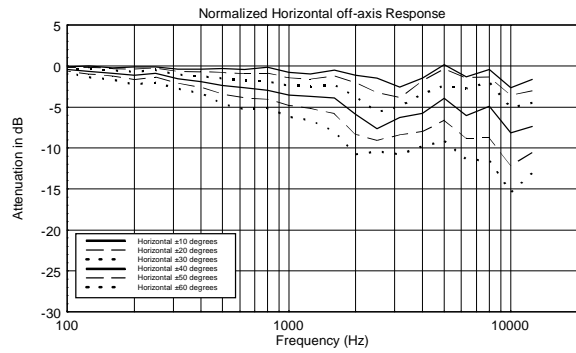
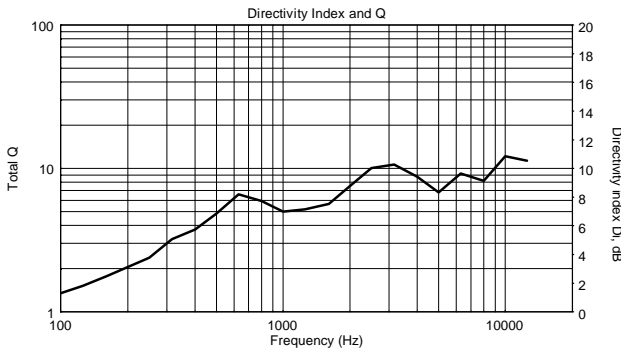
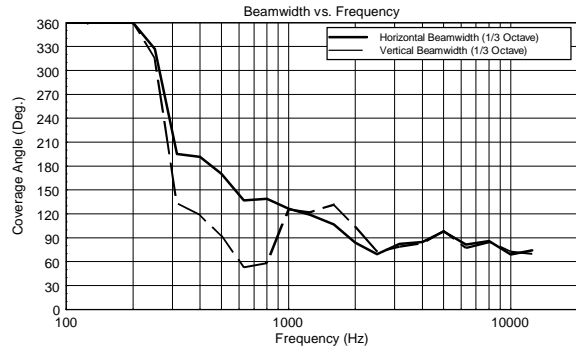
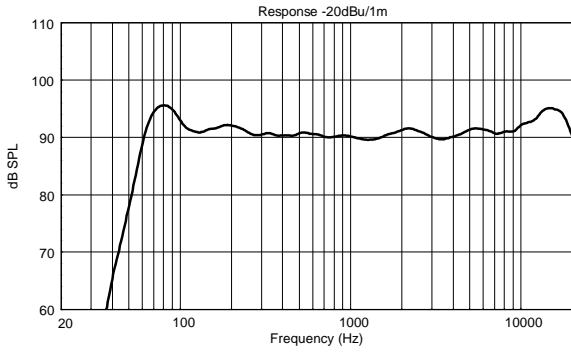
PART NUMBER

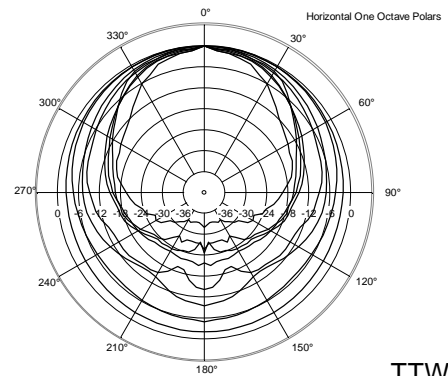
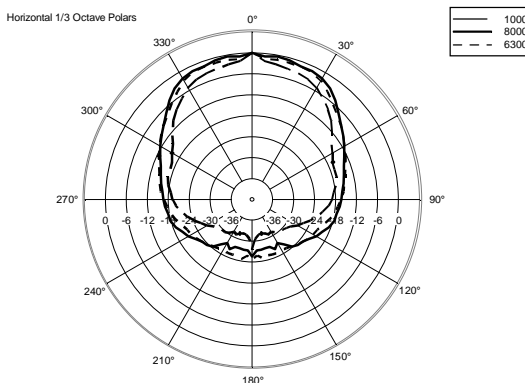
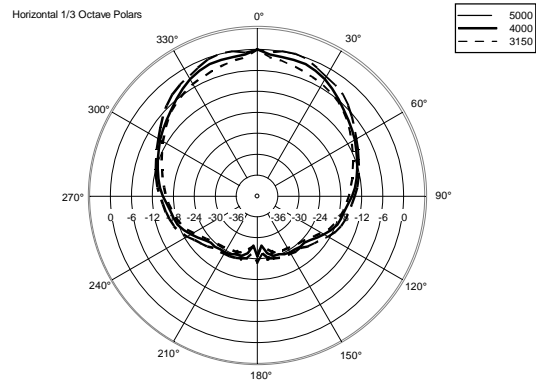
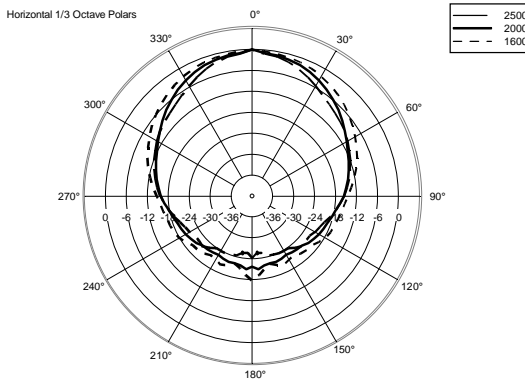
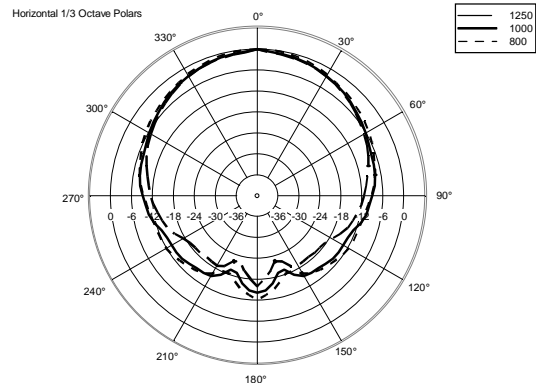
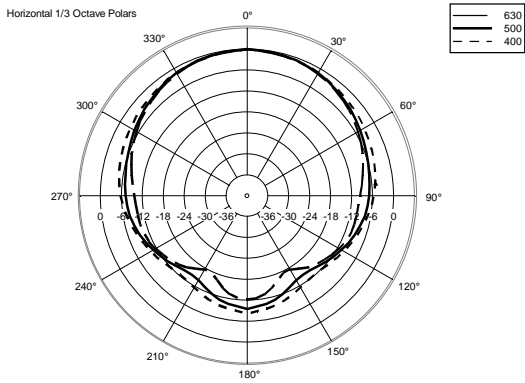
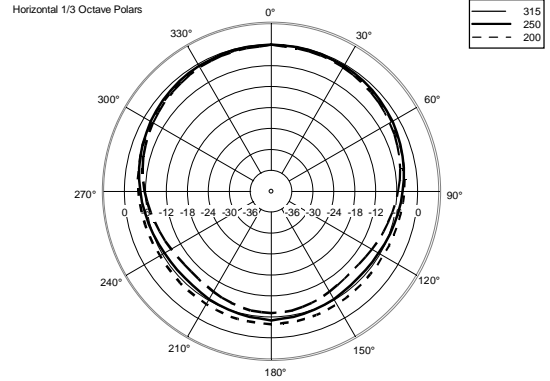
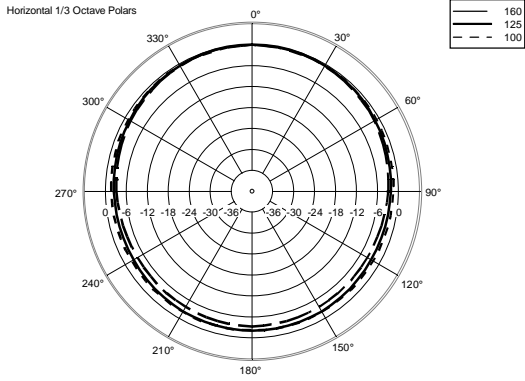
- **13000573**

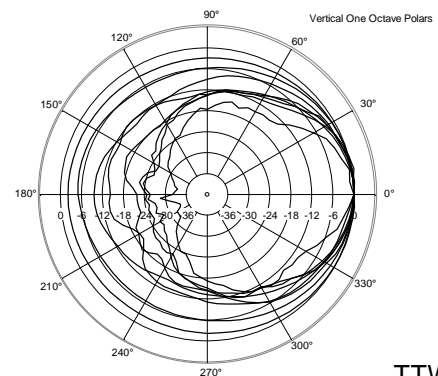
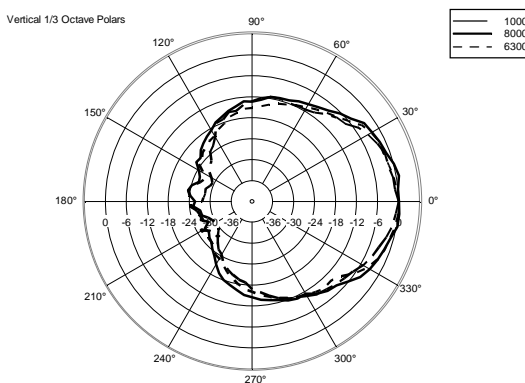
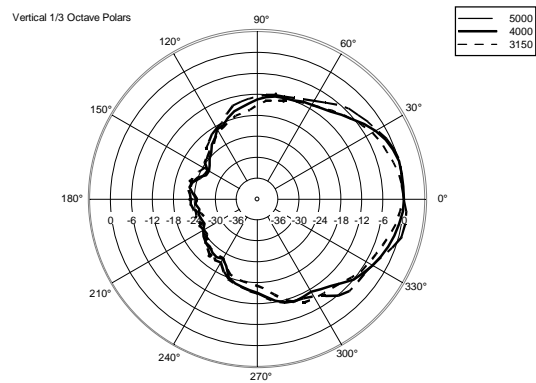
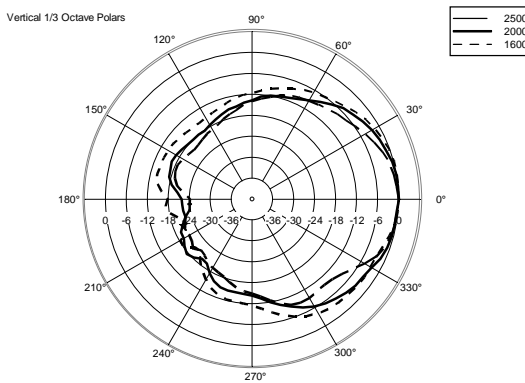
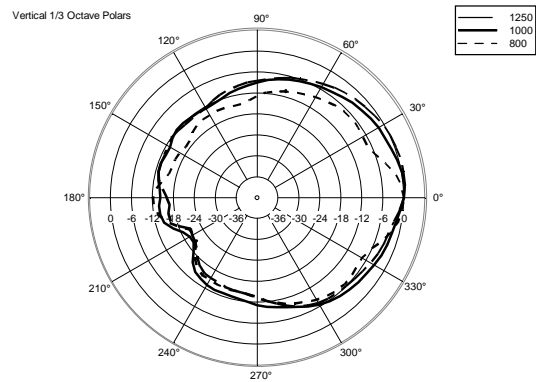
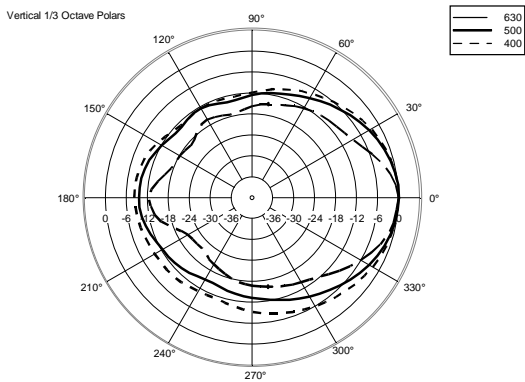
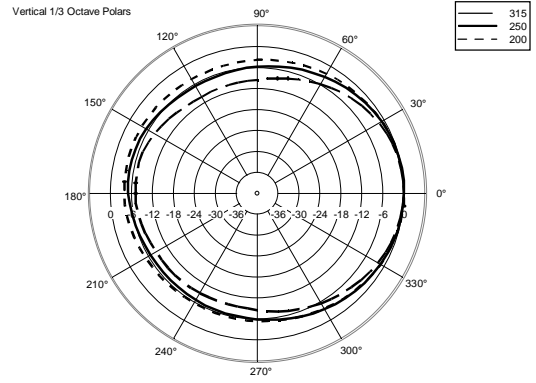
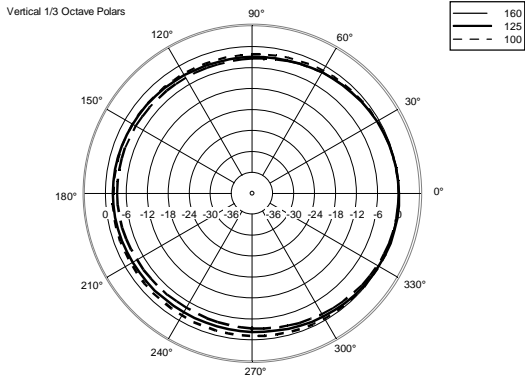
TTW 4-A

EAN 8024530017569









ACCESSORIES

AC PMA - POLE MOUNT

PART NUMBER **13360034**
EAN: 8024530007713

AC PMX POLE MOUNT M20

PART NUMBER **13360232**
EAN: 8024530010058

AC PRO-FS PROFESS. LOCKING FLOOR STAND

PART NUMBER **13360109**
EAN: 8024530006471

AC PRO-PM PROFESS. LOCKING POLE MOUNT

PART NUMBER **13360110**
EAN: 8024530006488

CABLES KIT CBL ETHERCON 0.7M

PART NUMBER **12399016**
EAN: 8024530013844

CABLES KIT CBL ETHERCON 1.5M

PART NUMBER **12399017**
EAN: 8024530013851

CABLES KIT CBL ETHERCON 3M

PART NUMBER **12399035**
EAN: 8024530013868

CABLES KIT CBL ETHERCON 5M

PART NUMBER **12399018**
EAN: 8024530013875

CABLES KIT CBL ETHERCON TO XLR F 0.2M

PART NUMBER **12399019**
EAN: 8024530013882



CABLES KIT CBL ETHERCON TO XLR M 0.2M

PART NUMBER **12399020**
EAN: 8024530013899



CABLES KIT CBL POWERCON LINK 0.7M

PART NUMBER **12399031**
EAN: 8024530013738



CABLES KIT CBL POWERCON LINK 1.5M

PART NUMBER **12399030**
EAN: 8024530013721



COVER CVR TT 4

PART NUMBER **13360440**
EAN: 8024530017583



FLY BAR FL-B H TT 4

PART NUMBER **13360425**
EAN:



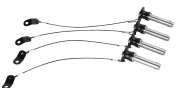
FLY BAR FL-B V TT 4

PART NUMBER **13360423**
EAN: 8024530017668



LINK BAR FL-B LINK TT 4

PART NUMBER **13360428**
EAN: 8024530017620



QUICK LOCK PIN QL-PIN D11.2 L31 4X

PART NUMBER **13360335**
EAN: 8024530013257



RAIN PROTECTION RP 1X HDL 30

PART NUMBER **13360388**
EAN: 8024530015138



VERTICAL BRACKET V-BR TT 4

PART NUMBER **13360427**
EAN: 8024530017637

