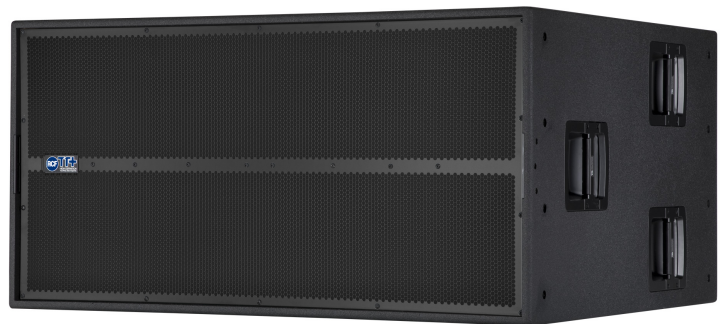


TTS 56-A

ACTIVE HIGH POWER SUBWOOFER

DESCRIPTION

The TTS56-A is a high power, high output active subwoofer system that sets a new standard in the touring sound reinforcement. The new 21" neodymium design represents the result of many years dedicated in pioneering new solutions for the transducers technology. The integration of the 6800 W, two channel digital amplification and the advanced digital processing set a new standard for distortion, noise and thermal efficiency.



FEATURES

- 2 x 3400 W digital amplifiers
- 2 x 21" high power neodymium woofers
- 96 kHz, 32 bit DSP processing
- Remote monitoring and control
- Time delay alignment
- Cardioid preset for groups
- Tour grade cabinet
- RDNet on board
- Maximum output per size on market

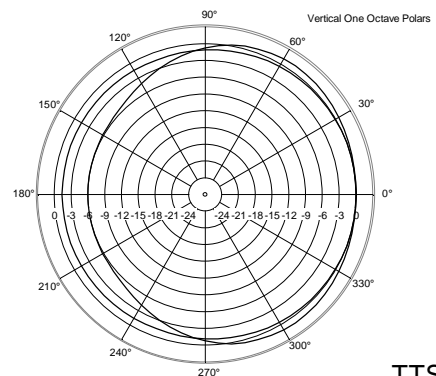
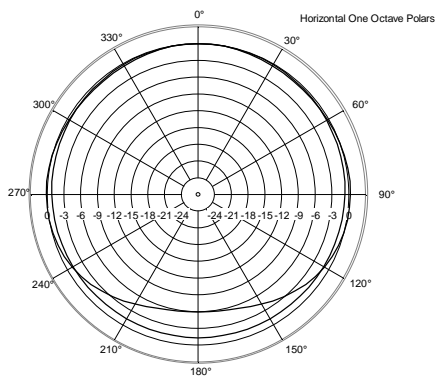
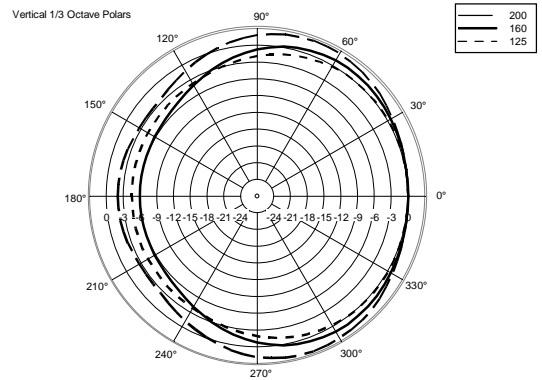
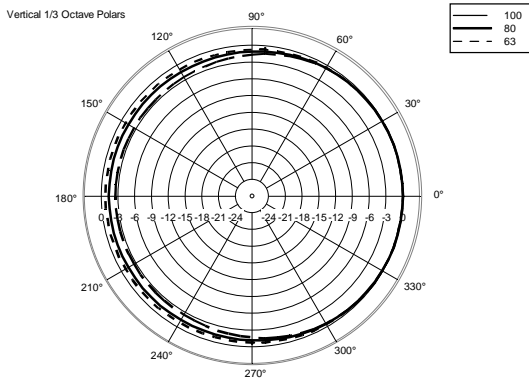
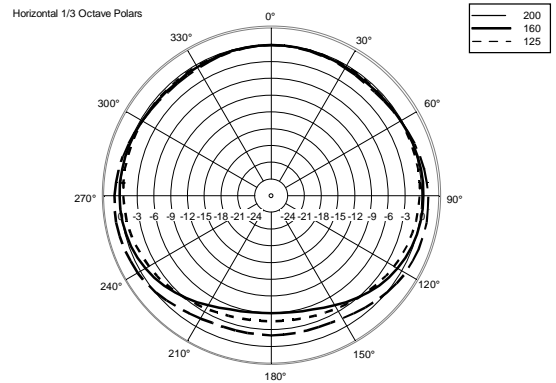
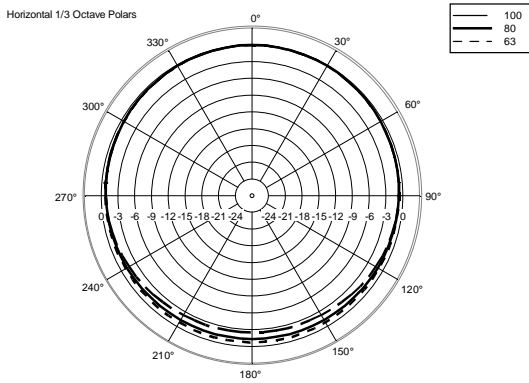
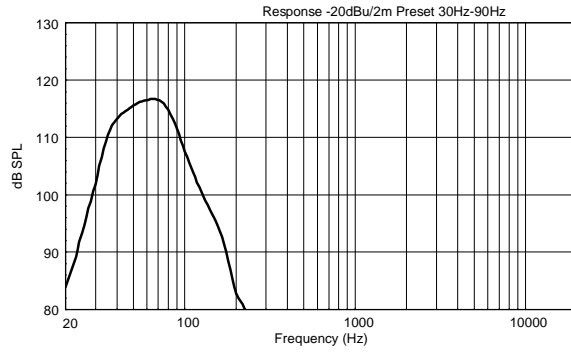
TECHNICAL SPECIFICATIONS

Acoustical specifications	Frequency Response:	30 Hz ÷ 100 Hz
	Max SPL @ 1m:	145 dB
Transducers	Woofers:	2 x 21" neo, 4.5" v.c
Input/Output section	Input signal:	bal/unbal
	Input connectors:	XLR, RDNet Ethercon
	Output connectors:	XLR, RDNet Ethercon
	Input sensitivity:	-2 dBu/+10 dBu
Processor section	Hi-Pass Frequencies:	30-45 Hz
	Low-Pass Frequencies:	60-90 Hz
	Protections:	Thermal, Excurs., RMS
	Limiter:	Soft Limiter
	Controls:	DSP Controlled
	RDNet:	Yes
Power section	Total Power:	13600 W Peak, 6800 W RMS
	Low frequencies:	13600 W Peak, 6800 W RMS
	Cooling:	Convection/Forced
	Connections:	Powercon IN/OUT
Standard compliance	CE marking:	Yes
Physical specifications	Cabinet/Case Material:	Baltic birch plywood
	Hardware:	2 x steel bar fork - lift transportation, 4 x 100 mm wheels
	Handles:	6 side
	Grille:	Steel
	Color:	Black
Size	Height:	590 mm / 23.23 inches
	Width:	1170 mm / 46.06 inches
	Depth:	988 mm / 38.9 inches
	Weight:	122.8 kg / 270.73 lbs
Shipping informations	Package Height:	1316 mm / 51.81 inches
	Package Width:	800 mm / 31.5 inches
	Package Depth:	1200 mm / 47.24 inches
	Package Weight:	178.2 kg / 392.86 lbs



PART NUMBER

- **13000190**
TTS 56-A
90-240V
EAN 8024530008611



ACCESSORIES

AC POWER CABLE 6X TTL55

PART NUMBER
EAN:**13360138**

AC RAIN COVER TTS56-A

PART NUMBER
EAN:**13360137**

AC XLR-3M3F XLR CONN. 3MALE3FEMALEXCABLE

PART NUMBER
EAN:**13360102**

8024530006402



CABLES KIT CBL ETHERCON 0.7M

PART NUMBER
EAN:**12399016**

8024530013844



CABLES KIT CBL ETHERCON 3M

PART NUMBER
EAN:**12399035**

8024530013868



CABLES KIT CBL ETHERCON 5M

PART NUMBER
EAN:**12399018**

8024530013875



CABLES KIT CBL ETHERCON TO XLR F 0.2M

PART NUMBER
EAN:**12399019**

8024530013882



CABLES KIT CBL ETHERCON TO XLR M 0.2M

PART NUMBER
EAN:**12399020**

8024530013899



CABLES KIT CBL LK 25 MULTIPIN 10M

PART NUMBER
EAN:**12399023**

8024530013837



CABLES KIT CBL LK 25 MULTIPIN 20M

PART NUMBER **12399022**
EAN: 8024530013820



CABLES KIT CBL LKS 19 ARRAY FANOUT

PART NUMBER **12399024**
EAN: 8024530013905



CABLES KIT CBL LKS 19 BREAKOUT

PART NUMBER **12399026**
EAN: 8024530013929



CABLES KIT CBL LKS 19 POWER 10M

PART NUMBER **12399027**
EAN: 8024530013936



CABLES KIT CBL LKS 19 SUB FANOUT

PART NUMBER **12399025**
EAN: 8024530013912



CABLES KIT CBL LKS 25-2 FANOUT

PART NUMBER **12399021**
EAN: 8024530013813



CABLES KIT CBL POWER BOX 6X

PART NUMBER **13360145**
EAN: 8024530015534



CABLES KIT CBL POWERCON LINK 1.5M

PART NUMBER **12399030**
EAN: 8024530013721



CABLES KIT CBL POWERCON LINK 10M

PART NUMBER **12399028**
EAN: 8024530013707



CABLES KIT CBL POWERCON LINK 5M

PART NUMBER **12399029**
EAN: 8024530013714



COVER CVR FRONT TTS 56

PART NUMBER **13360140**
EAN:

COVER CVR TTS 56

PART NUMBER **13360135**
EAN: 8024530006792

LKS 19-20 POWER CABLE

PART NUMBER **13360146**
EAN: 8024530013943

NYLON SLED FOR TTS56-A

PART NUMBER **13360157**
EAN:

PRO SWIVEL WHEELS KIT

PART NUMBER **13360238**
EAN: