

# SUB 9006-AS

## ACTIVE HIGH POWER SUBWOOFER

### DESCRIPTION

The SUB 9006-AS is one of the most powerful 2x18" subwoofers in the field of live sound. Featuring two high-power hyper-vented 18" neodymium woofers with 4.0" inside-outside voice coils, this cabinet delivers a serious amount of low frequencies. Powered by a 7200 W digital amplifier, the SUB 9006-AS can perform in the most demanding situations. The housing of the SUB 9006-AS matches the RCF D-Line HDL50-A and HDL10-A array systems, enabling to build stacked systems in a perfect combination.



### FEATURES

- 7200 Watt Peak power - 3600 Watt RMS
- 142 dB max SPL
- 30 Hz - 400 Hz frequency response
- 2 x 18" Woofer
- DSP controlled Input section with selectable presets
- RDNet remote control
- Delay control
- Baltic birch cabinet

## TECHNICAL SPECIFICATIONS

<b>Acoustical specifications</b>	Frequency Response:	30 Hz ÷ 400 Hz
	Max SPL @ 1m:	142 dB
<b>Transducers</b>	Woofers:	2 x 18" neo, 4.0" v.c
<b>Input/Output section</b>	Input signal:	bal/unbal
	Input connectors:	XLR, RDNet Ethercon
	Output connectors:	XLR, RDNet Ethercon
	Input sensitivity:	+4 dBu
<b>Processor section</b>	Hi-Pass Frequencies:	30Hz, 40Hz
	Low-Pass Frequencies:	Variable from 50Hz to 400Hz
	Protections:	Thermal, RMS
	Limiter:	Fast Limiter
	Controls:	Gain, EQ, Preset, Phase switch, Output Delay Settings
	RDNet:	Yes
<b>Power section</b>	Total Power:	7200 W Peak, 3600 W RMS
	Low frequencies:	7200 W Peak, 3600 W RMS
	Cooling:	Convection/Forced
	Connections:	Powercon IN/OUT
<b>Standard compliance</b>	CE marking:	Yes
<b>Physical specifications</b>	Cabinet/Case Material:	Baltic birch plywood
	Hardware:	2 x M20
	Handles:	8 side
	Grille:	Steel
	Color:	Black
<b>Size</b>	Height:	558 mm / 21.97 inches
	Width:	1188 mm / 46.77 inches
	Depth:	785 mm / 30.91 inches
	Weight:	86 kg / 189.6 lbs
<b>Shipping informations</b>	Package Height:	600 mm / 23.62 inches
	Package Width:	835 mm / 32.87 inches
	Package Depth:	1230 mm / 48.43 inches
	Package Weight:	92 kg / 202.83 lbs



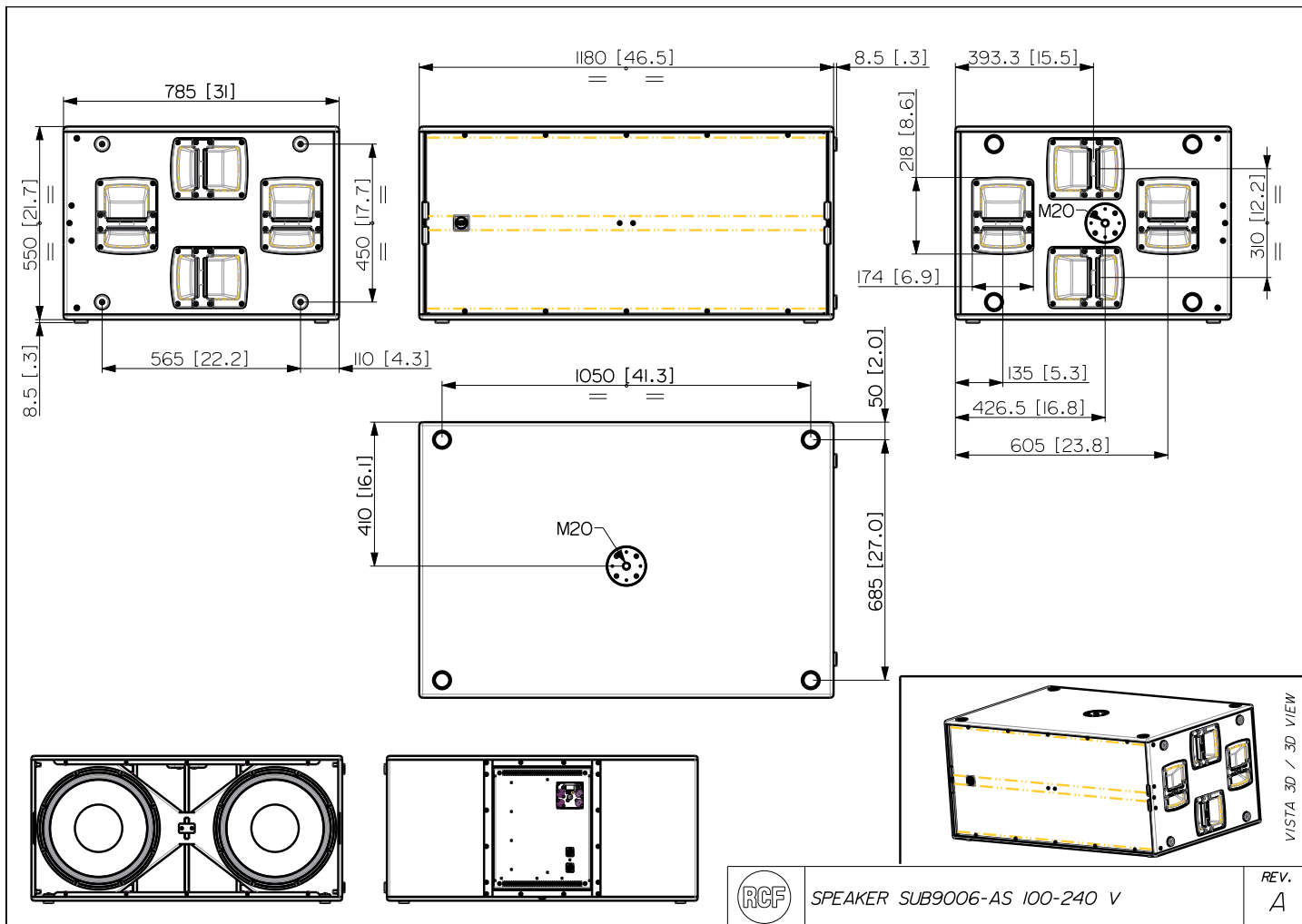
**PART NUMBER**

- **13000494**

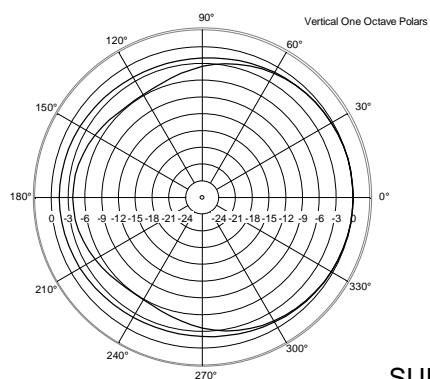
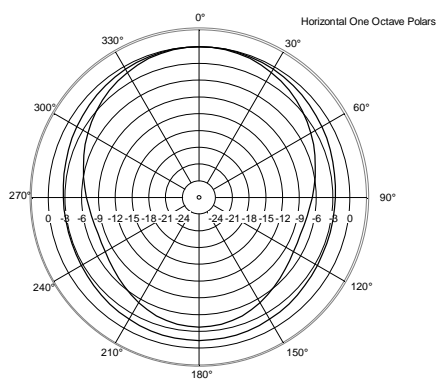
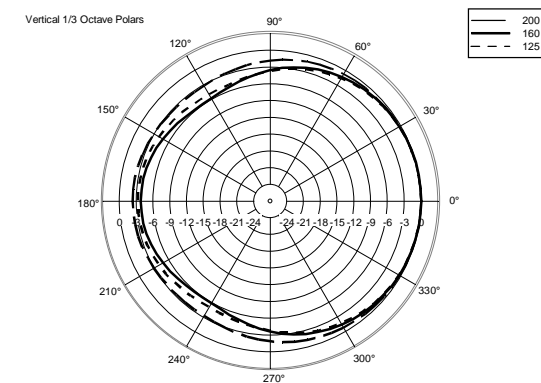
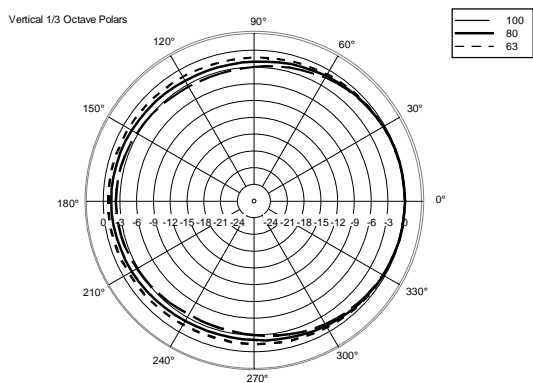
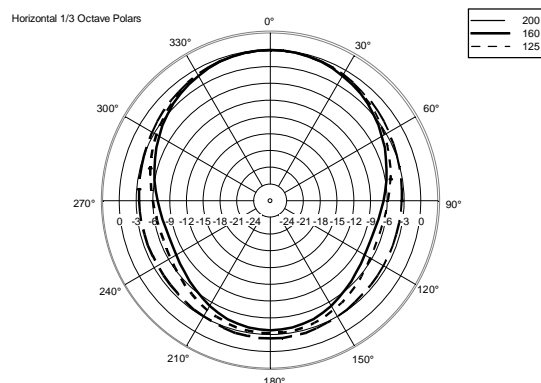
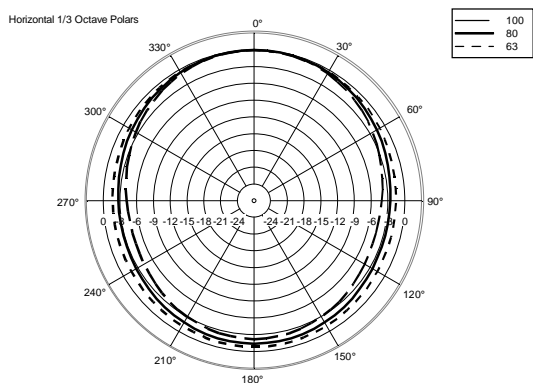
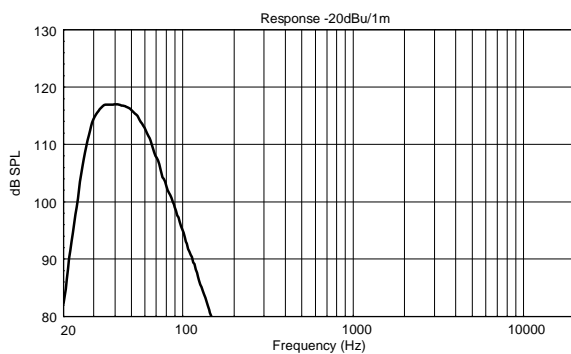
SUB 9006-AS

90-240V

EAN 8024530014148







**ACCESSORIES**

AC CONNECTION SUB8006-AS CONN. BRACKET

PART NUMBER

**13360231**

EAN:



AC PM-M20

PART NUMBER

**13360067**

EAN:

8024530014599



AC PMX POLE MOUNT M20

PART NUMBER

**13360232**

EAN:

8024530010058



AC POWER CABLE 6X TTL55

PART NUMBER

**13360138**

EAN:



CABLES KIT CBL ETHERCON 0.7M

PART NUMBER

**12399016**

EAN:

8024530013844



CABLES KIT CBL ETHERCON 3M

PART NUMBER

**12399035**

EAN:

8024530013868



CABLES KIT CBL ETHERCON 5M

PART NUMBER

**12399018**

EAN:

8024530013875



CABLES KIT CBL ETHERCON TO XLR F 0.2M

PART NUMBER

**12399019**

EAN:

8024530013882



CABLES KIT CBL ETHERCON TO XLR M 0.2M

PART NUMBER

**12399020**

EAN:

8024530013899



CABLES KIT CBL LK 25 MULTIPIN 10M

PART NUMBER **12399023**  
EAN: 8024530013837



CABLES KIT CBL LK 25 MULTIPIN 20M

PART NUMBER **12399022**  
EAN: 8024530013820



CABLES KIT CBL LKS 19 ARRAY FANOUT

PART NUMBER **12399024**  
EAN: 8024530013905



CABLES KIT CBL LKS 19 BREAKOUT

PART NUMBER **12399026**  
EAN: 8024530013929



CABLES KIT CBL LKS 19 POWER 10M

PART NUMBER **12399027**  
EAN: 8024530013936



CABLES KIT CBL LKS 19 SUB FANOUT

PART NUMBER **12399025**  
EAN: 8024530013912



CABLES KIT CBL LKS 25-2 FANOUT

PART NUMBER **12399021**  
EAN: 8024530013813



CABLES KIT CBL POWER BOX 6X

PART NUMBER **13360145**  
EAN: 8024530015534



CABLES KIT CBL POWERCON LINK 1.5M

PART NUMBER **12399030**  
EAN: 8024530013721



CABLES KIT CBL POWERCON LINK 10M

PART NUMBER **12399028**  
EAN: 8024530013707



CABLES KIT CBL POWERCON LINK 5M

PART NUMBER **12399029**  
EAN: 8024530013714



COVER CVR SUB 9006

PART NUMBER **13360363**  
EAN: 8024530013776



KART WITH WHEELS KRT-WH SUB 9006

PART NUMBER **13360361**  
EAN: 8024530013769



LKS 19-20 POWER CABLE

PART NUMBER **13360146**  
EAN: 8024530013943



RAIN PROTECTION RP 1X SUB 9006

PART NUMBER **13360362**  
EAN: 8024530013783