

# SUB 8005-AS

## ACTIVE HIGH POWER SUBWOOFER

### DESCRIPTION

The SUB 8005-AS is one of the most powerful 21" subwoofers in the pro-sound category. Featuring a high power, hypervented 21" woofer, with 4.5" inside/outside voice coils, this cabinet is designed to deliver a serious amount of low frequency. Powered by a 2500W digital amplifier module, the SUB 8005-AS can perform in the most demanding situations. The input board includes volume control, deep/punch switch, high pass switch, phase switch, cardioid, time delay.



### FEATURES

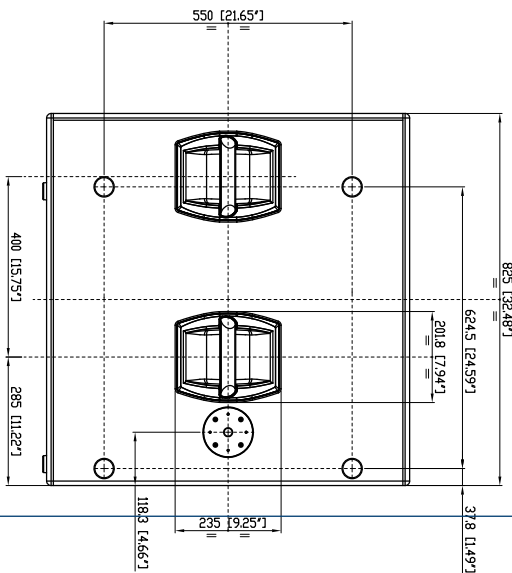
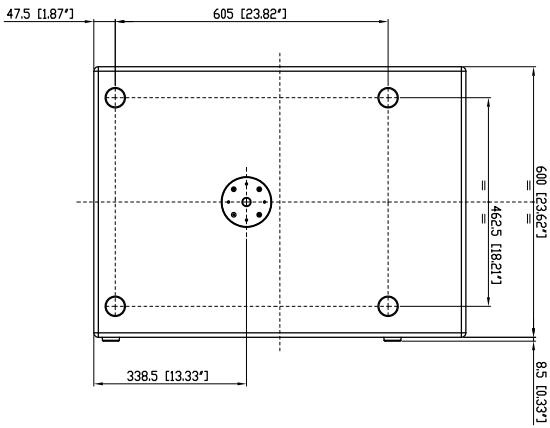
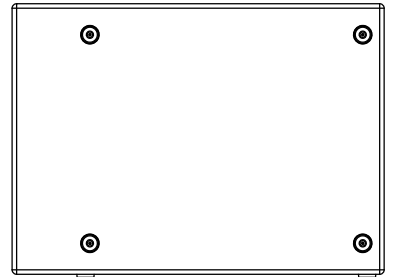
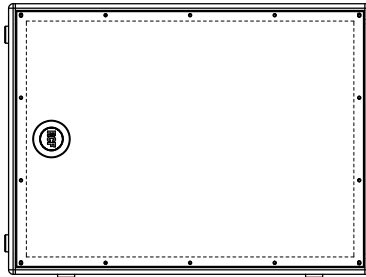
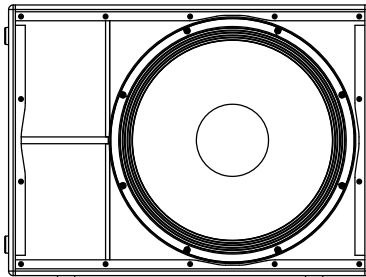
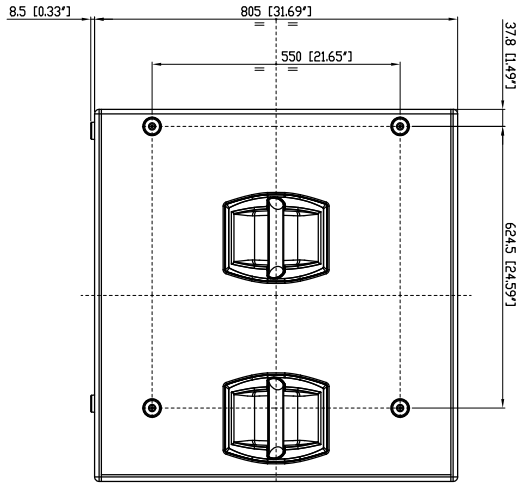
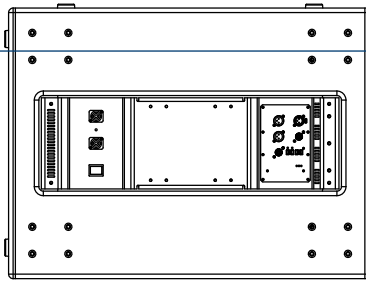
- 2500 Watt Peak, 1250 Watt RMS
- 137 dB max SPL
- 27 Hz - 120 Hz frequency response
- 21" Woofer, 4.5" voice coil vented woofer
- DSP controlled Input section with selectable presets
- Delay control
- Baltic birch tour grade cabinet
- Compatible with NXL23-A (stacking)
- Compatible with NXL24-A (stacking)
- Multiple configurations with HDL 10-A and HDL 20-A

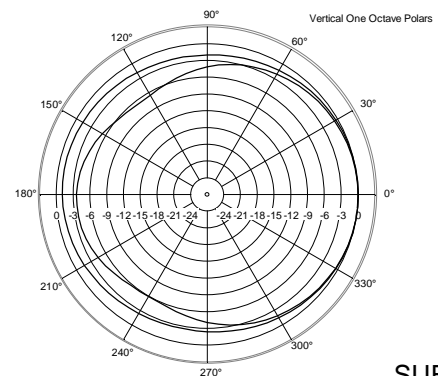
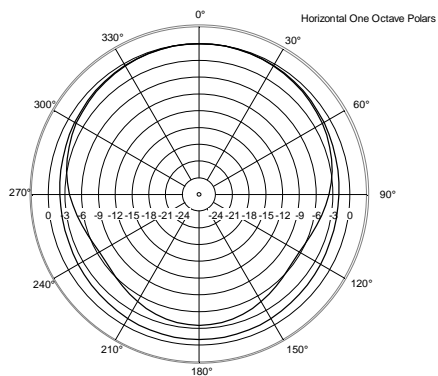
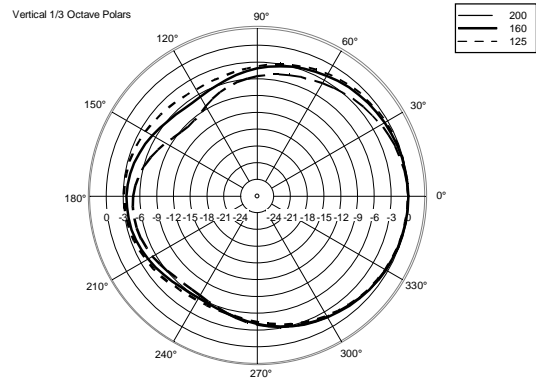
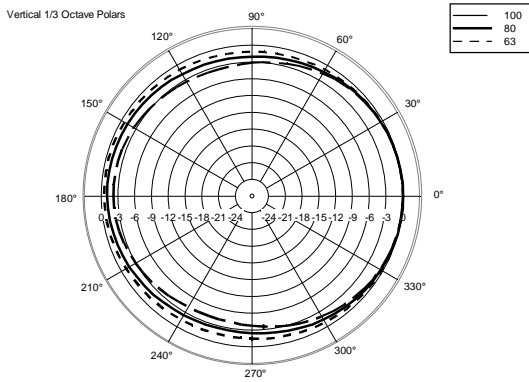
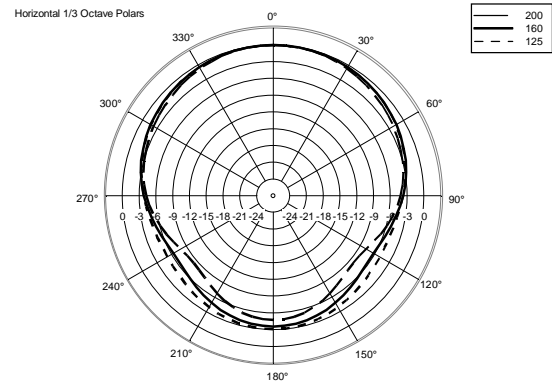
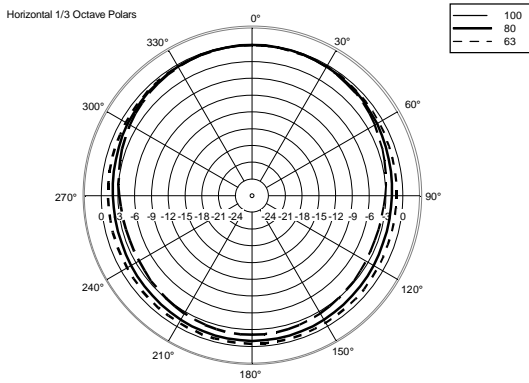
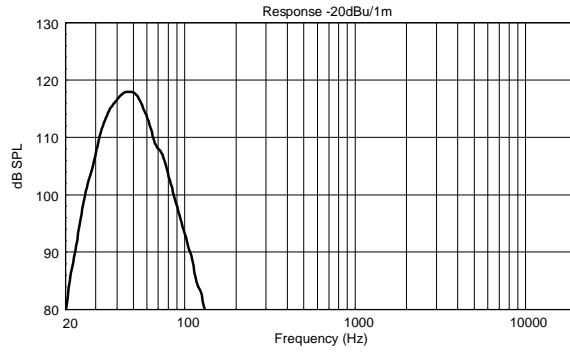
## TECHNICAL SPECIFICATIONS

|                                  |                        |  |
|----------------------------------|------------------------|--|
| <b>Acoustical specifications</b> | Frequency Response:    | 27 Hz ÷ 120 Hz   |
|                                  | Max SPL @ 1m:          | 137 dB   |
| <b>Transducers</b>               | Woofers:               | 21", 4.5" v.c  |
| <b>Input/Output section</b>      | Input signal:          | bal/unbal  |
|                                  | Input connectors:      | XLR  |
|                                  | Output connectors:     | XLR  |
|                                  | Input sensitivity:     | -2 dBu/+4 dBu  |
| <b>Processor section</b>         | Hi-Pass Frequencies:   | 120 Hz   |
|                                  | Low-Pass Frequencies:  | 90 Hz  |
|                                  | Protections:           | Thermal, RMS   |
|                                  | Limiter:               | Fast Limiter   |
|                                  | Controls:              | Xover, Phase switch, Deep/Punch, Output Delay Settings, Cardio |
| <b>Power section</b>             | Total Power:           | 2500 W Peak, 1250 W RMS  |
|                                  | Low frequencies:       | 2500 W Peak, 1250 W RMS  |
|                                  | Cooling:               | Convection   |
|                                  | Connections:           | Powercon IN/OUT  |
| <b>Standard compliance</b>       | CE marking:            | Yes  |
| <b>Physical specifications</b>   | Cabinet/Case Material: | Baltic birch plywood   |
|                                  | Hardware:              | 2xM20, 4 x wheels mounting points                              |
|                                  | Handles:               | 2 side   |
|                                  | Grille:                | Steel  |
|                                  | Color:                 | Black  |
| <b>Size</b>                      | Height:                | 825 mm / 32.48 inches  |
|                                  | Width:                 | 600 mm / 23.62 inches  |
|                                  | Depth:                 | 805 mm / 31.69 inches  |
|                                  | Weight:                | 61.5 kg / 135.58 lbs   |
| <b>Shipping informations</b>     | Package Height:        | 870 mm / 34.25 inches  |
|                                  | Package Width:         | 880 mm / 34.65 inches  |
|                                  | Package Depth:         | 662 mm / 26.06 inches  |
|                                  | Package Weight:        | 63 kg / 138.89 lbs   |

## PART NUMBER

- **13000423**  
SUB 8005-AS  
115V  
EAN 8024530011987
- **13000422**  
SUB 8005-AS  
220-240V  
EAN 8024530011970





**ACCESSORIES**

AC CONNECTION SUB8006-AS CONN. BRACKET

PART NUMBER

**13360231**

EAN:



AC PM-M20

PART NUMBER

**13360067**

EAN:

8024530014599



AC PMX POLE MOUNT M20

PART NUMBER

**13360232**

EAN:

8024530010058



COVER CVR SUB 8004

PART NUMBER

**13360286**

EAN:

8024530011666



COVER CVR SUB 8005

PART NUMBER

**13360295**

EAN:

8024530014025