

SUB 8004-AS

ACTIVE HIGH POWER SUBWOOFER

DESCRIPTION

The SUB 8004-AS is one of the most powerful 18" subwoofers in pro-sound category. Featuring a high power, hypervented 18" woofer, with 4" inside/outside voice coils, this cabinet is designed to deliver a serious amount of low frequency. Powered by a 1250W digital amplifier module, the SUB 8004-AS can perform in the most demanding situations. The input board includes volume control, deep/punch switch, high pass switch, phase switch, cardioid, time delay.



FEATURES

- 2500 Watt Peak, 1250 Watt RMS
- 136 dB max SPL
- 30 Hz - 120 Hz frequency response
- 18" Woofer, 4.0" voice coil vented woofer
- DSP controlled Input section with selectable presets
- Delay control
- Baltic birch tour grade cabinet
- Compatible with NXL23-A (stacking)
- Compatible with NXL24-A (stacking)
- Multiple configurations with HDL 10-A and HDL 20-A

TECHNICAL SPECIFICATIONS

Acoustical specifications	Frequency Response:	30 Hz ÷ 120 Hz
Transducers	Woofers:	18", 4.0" v.c
Input/Output section	Input signal:	bal/unbal
	Input connectors:	XLR
	Output connectors:	XLR
	Input sensitivity:	-2 dBu/+4 dBu
Processor section	Hi-Pass Frequencies:	120 Hz
	Low-Pass Frequencies:	90 Hz
	Protections:	Thermal, RMS
	Limiter:	Fast Limiter
	Controls:	Xover, Phase switch, Deep/Punch, Output Delay Settings, Cardioid
Power section	Total Power:	2500 W Peak, 1250 W RMS
	Low frequencies:	2500 W Peak, 1250 W RMS
	Cooling:	Convection
	Connections:	Powercon IN/OUT
Standard compliance	CE marking:	Yes
Physical specifications	Color:	Black
Size	Height:	700 mm / 27.56 inches
	Width:	558 mm / 21.97 inches
	Depth:	700 mm / 27.56 inches
	Weight:	56 kg / 123.46 lbs
Shipping informations	Package Height:	761 mm / 29.96 inches
	Package Width:	751 mm / 29.57 inches
	Package Depth:	612 mm / 24.09 inches
	Package Weight:	60 kg / 132.28 lbs

PART NUMBER

- **13000393**

SUB 8004-AS

115V

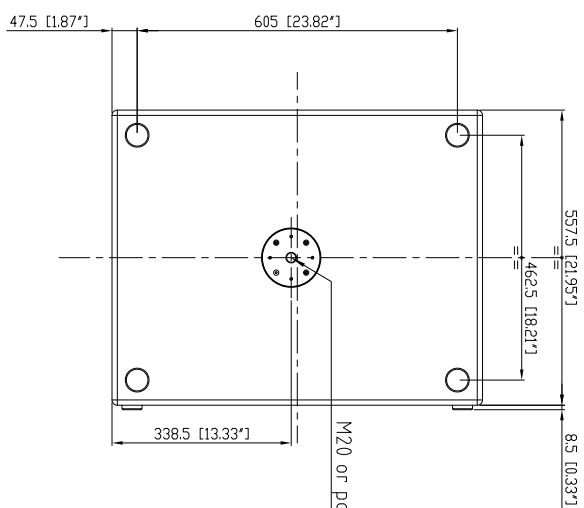
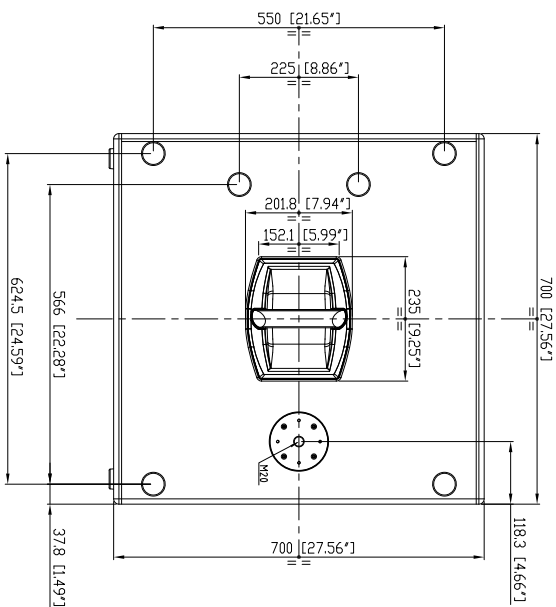
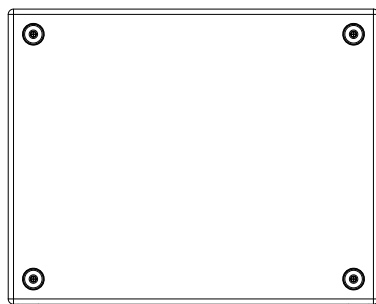
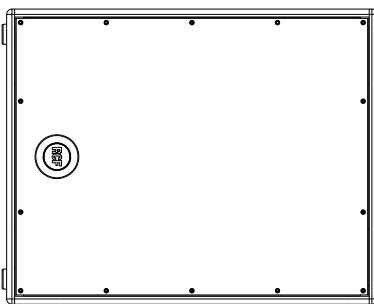
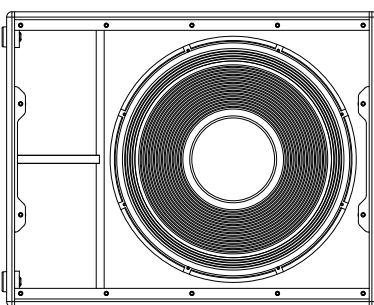
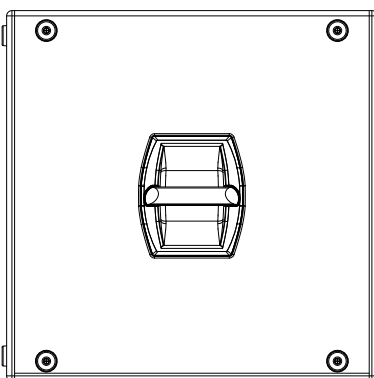
EAN 8024530010751

- **13000392**

SUB 8004-AS

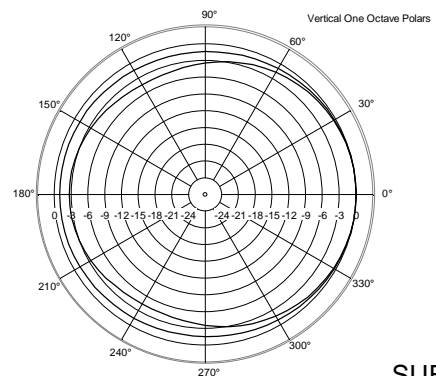
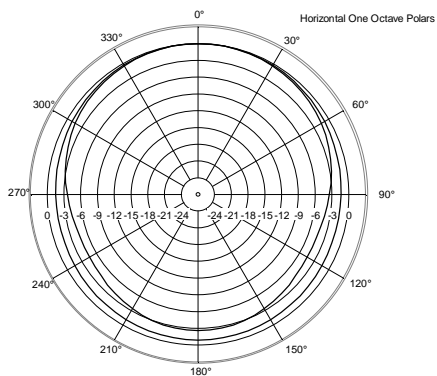
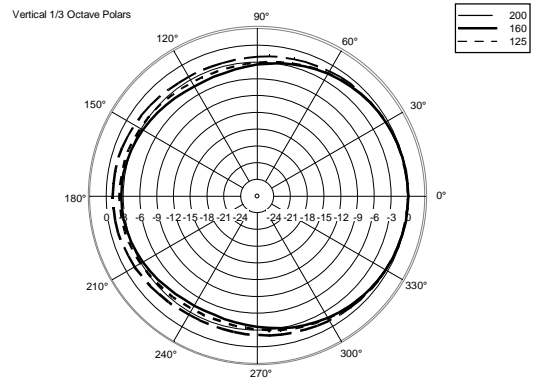
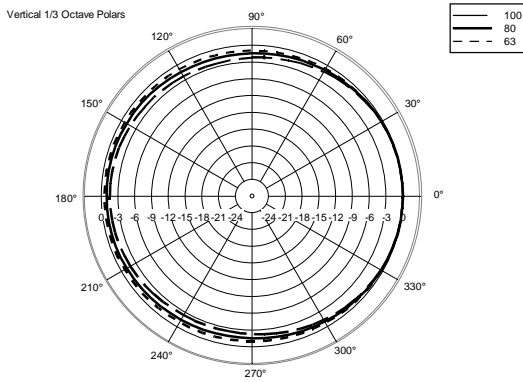
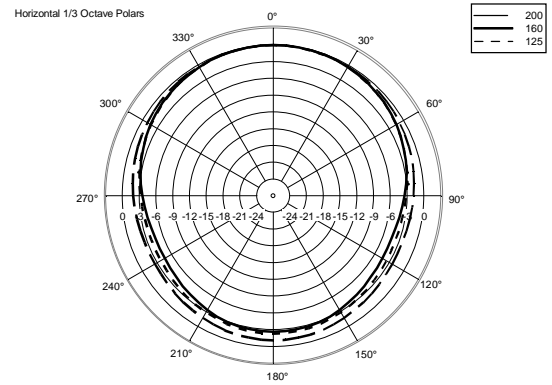
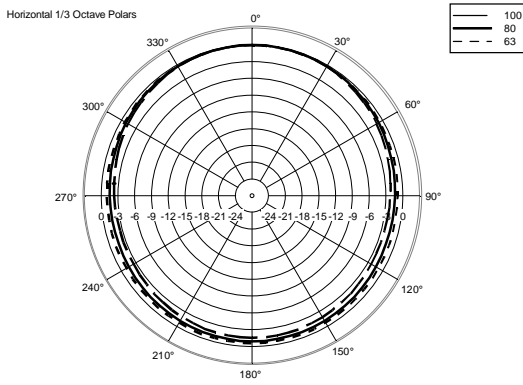
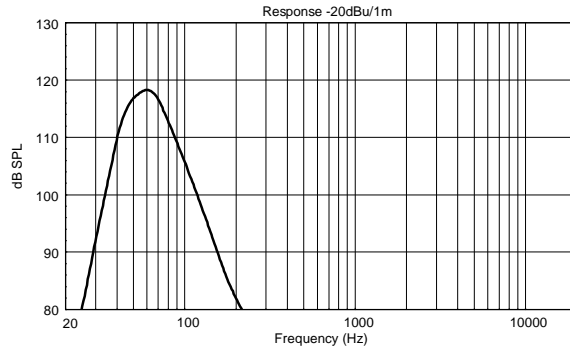
220-240V

EAN 8024530010607



M20 or pole mount seat (supplied)

SUB8004-AS



ACCESSORIES

AC CONNECTION SUB8006-AS CONN. BRACKET

PART NUMBER

13360231

EAN:



AC PM-M20

PART NUMBER

13360067

EAN:

8024530014599



AC PMX POLE MOUNT M20

PART NUMBER

13360232

EAN:

8024530010058



COVER CVR SUB 8003 II

PART NUMBER

13360378

EAN:

8024530014575



PRO SWIVEL WHEELS KIT

PART NUMBER

13360238

EAN:

8024530018320