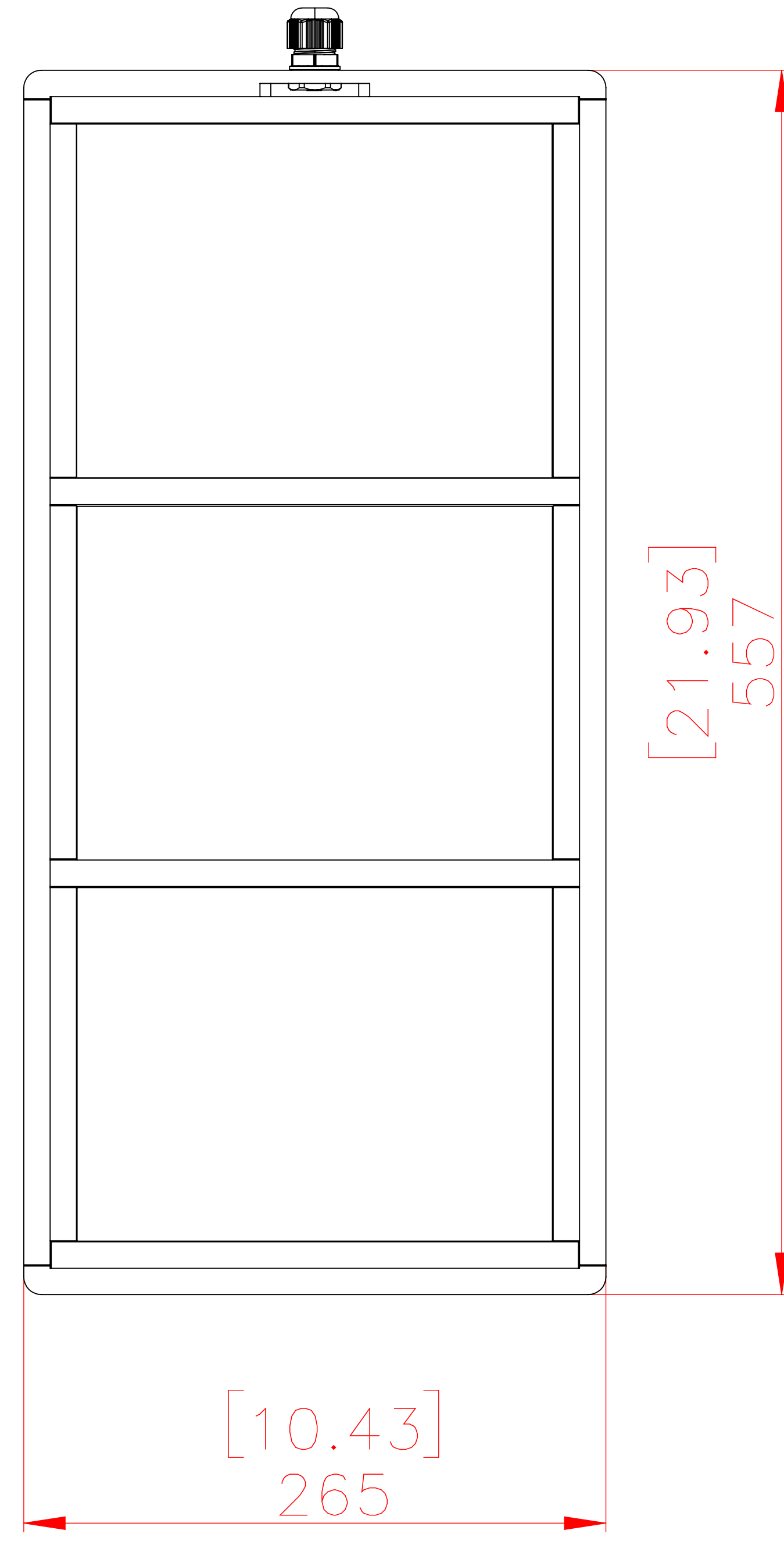
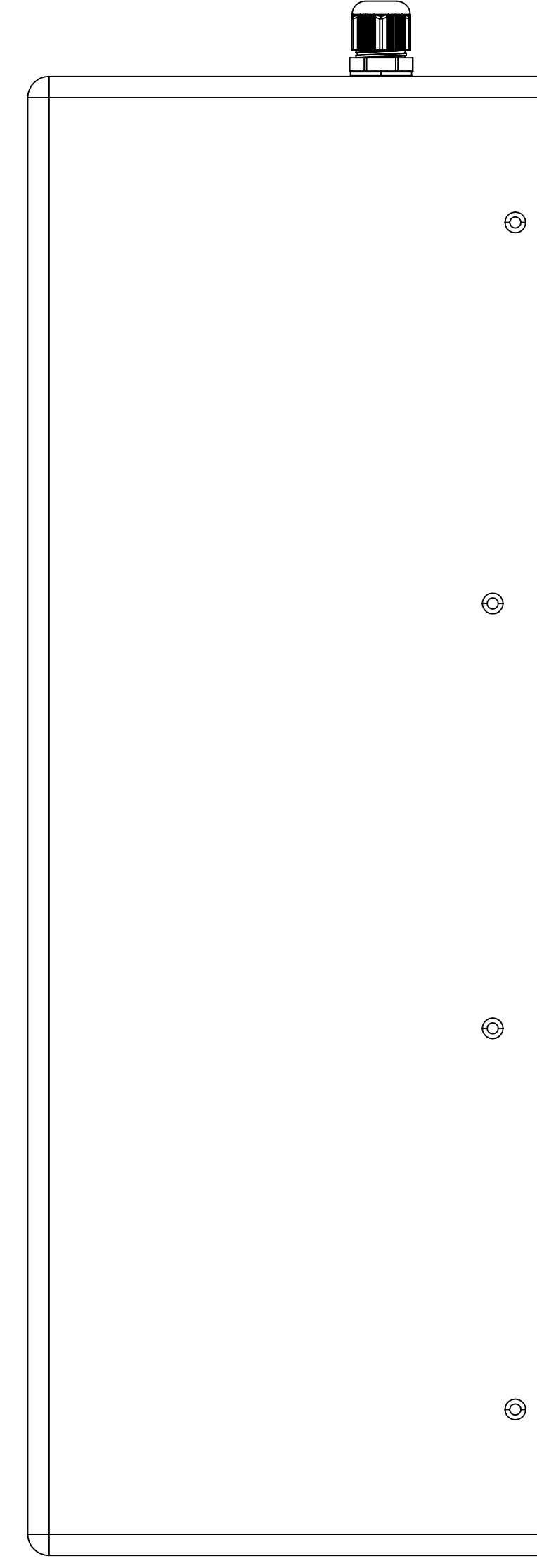


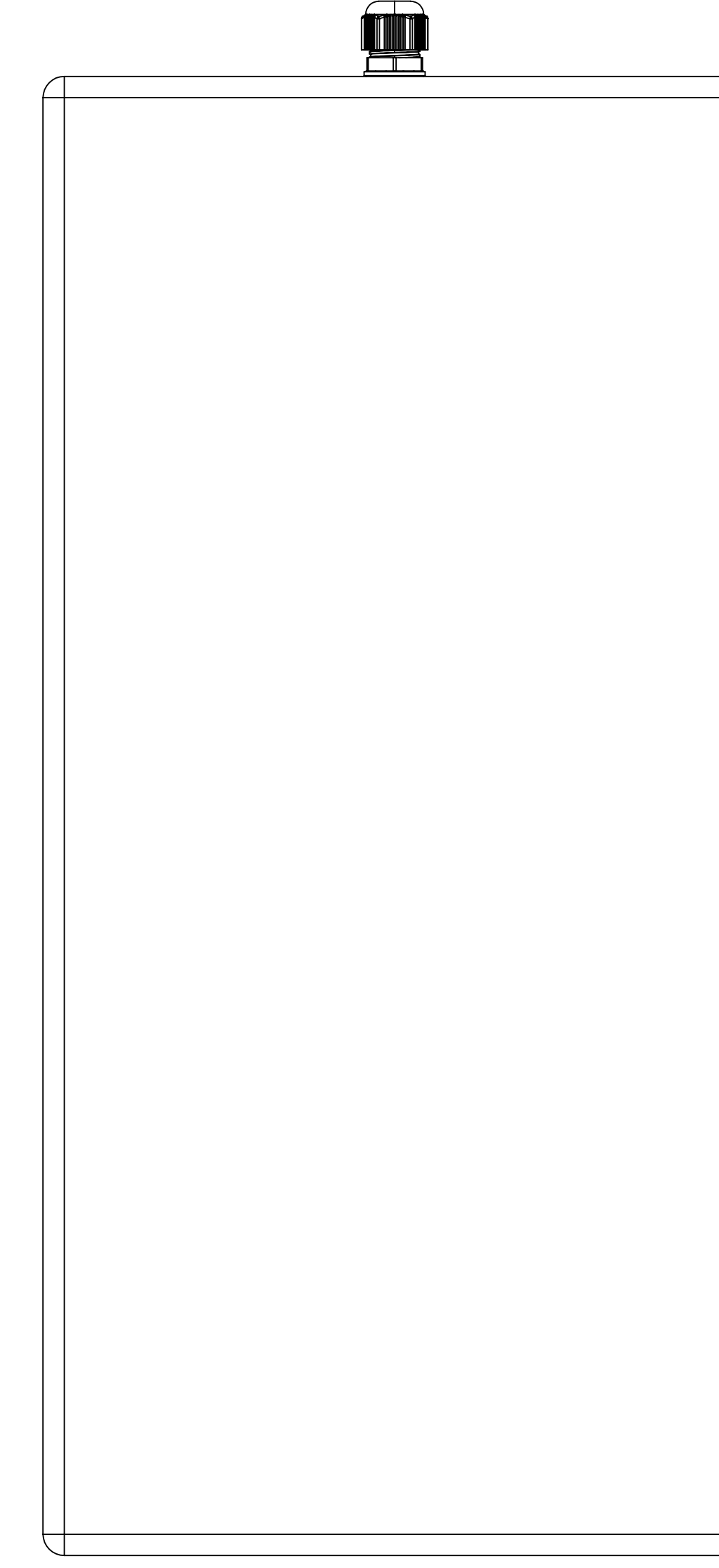
FRONT



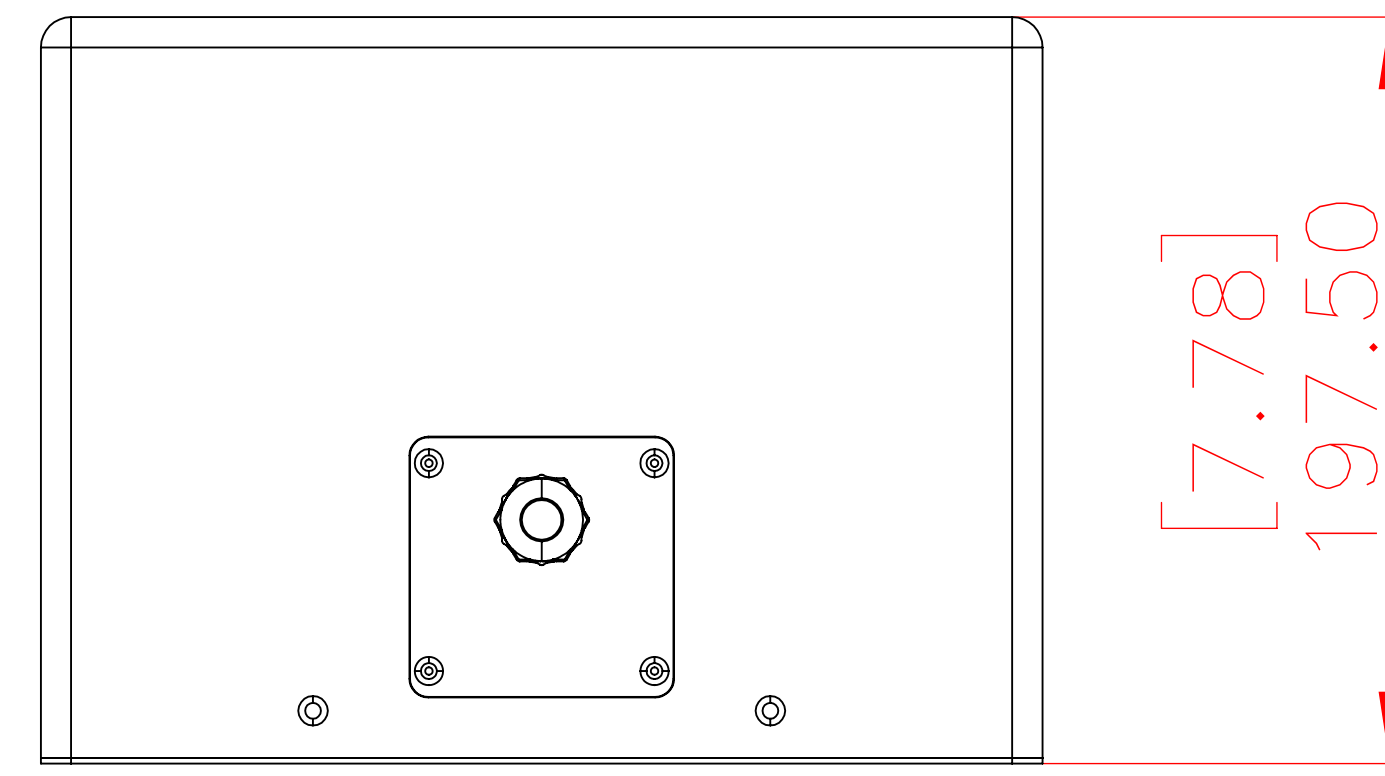
LEFT



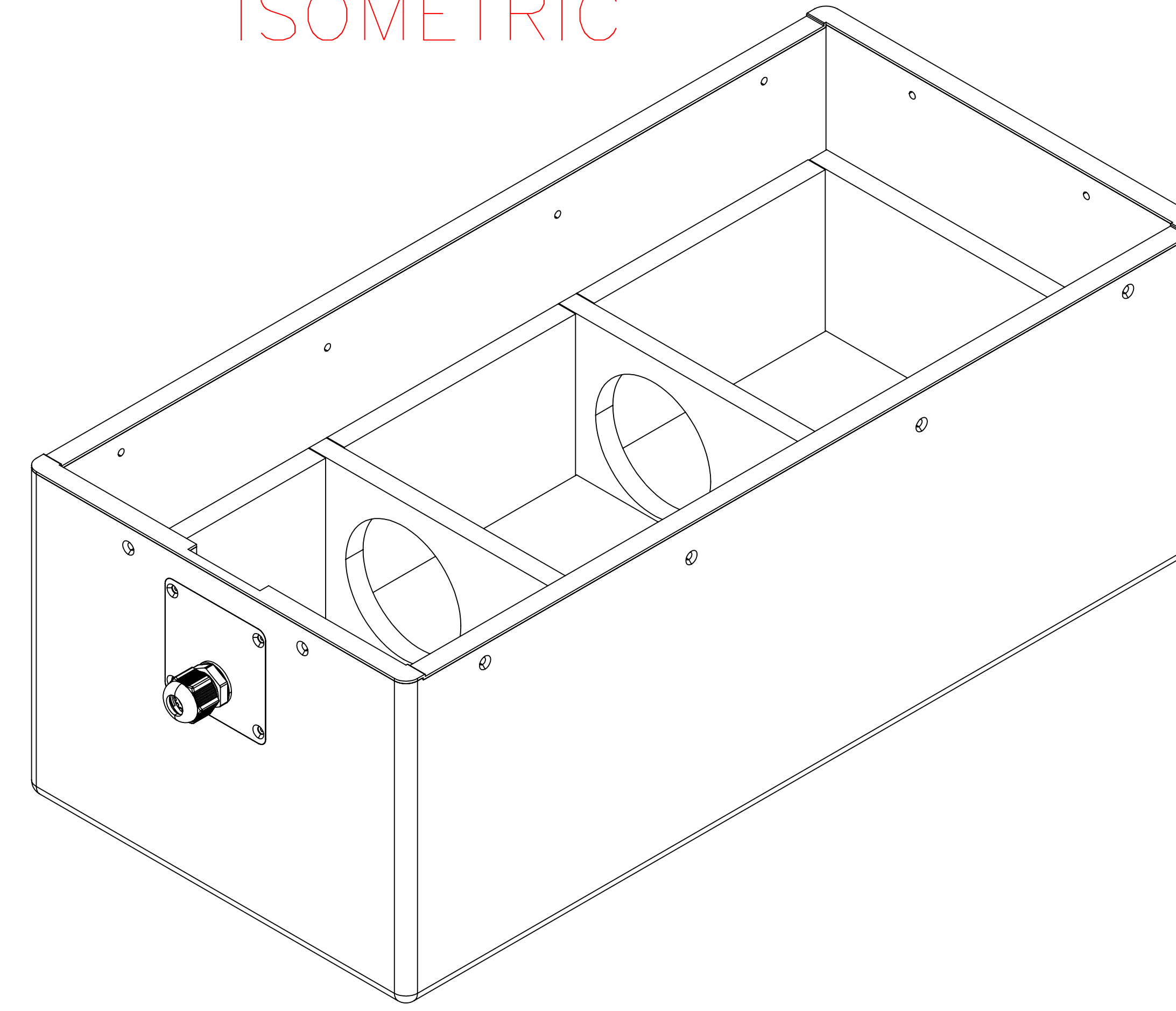
BACK



TOP



ISOMETRIC



**SONANCE**

991 Calle Amanecer, San Clemente, CA.  
 92673  
 58800 2-7777 949 492-7777  
 FAX 949 361-5579  
 www.sonance.com

NARROW ENCLOSURE FOR IS8 & IS10W SPEAKER

SCALE: 1 : 2

DRAWN BY:

DRWN - PART NUMBER

REV.

SHEET: 01

RELEASED (IN)