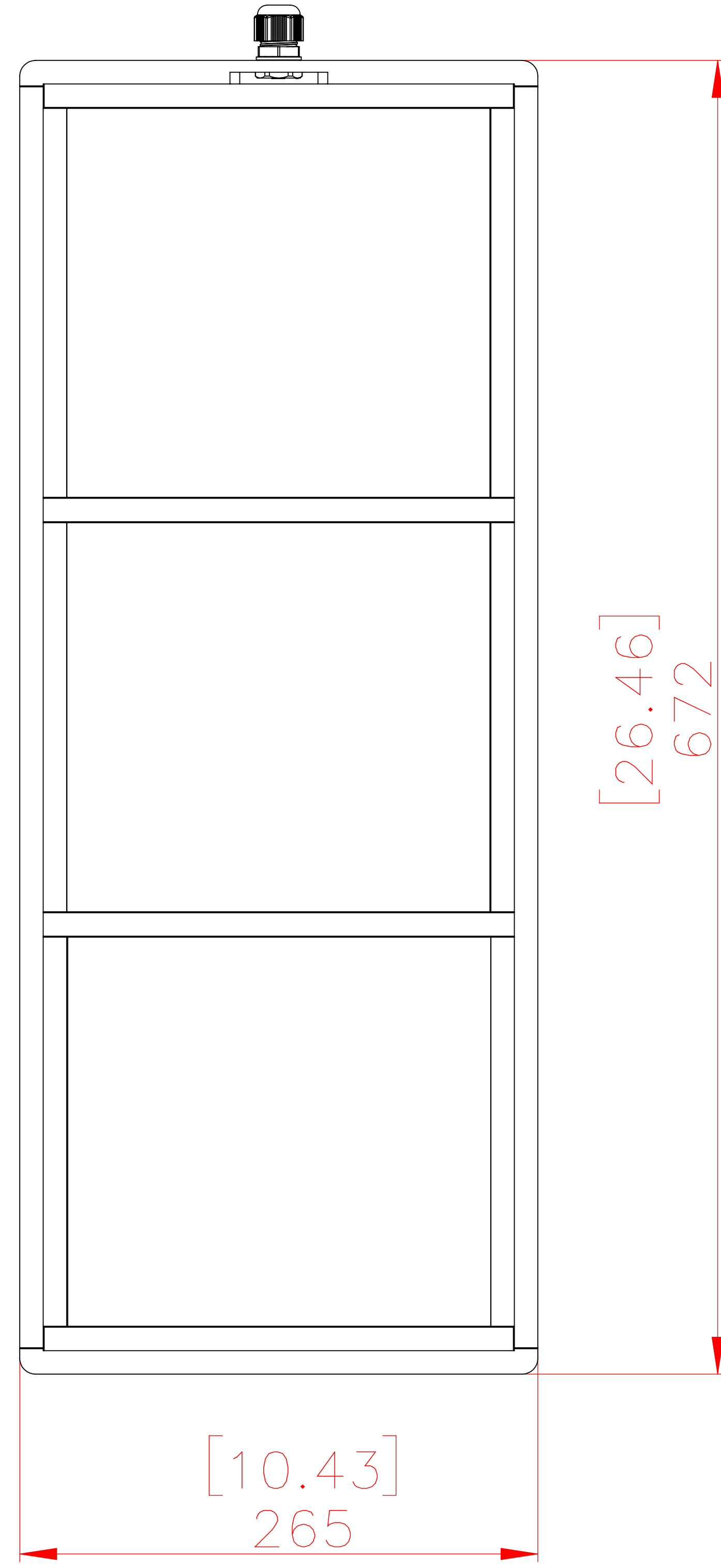
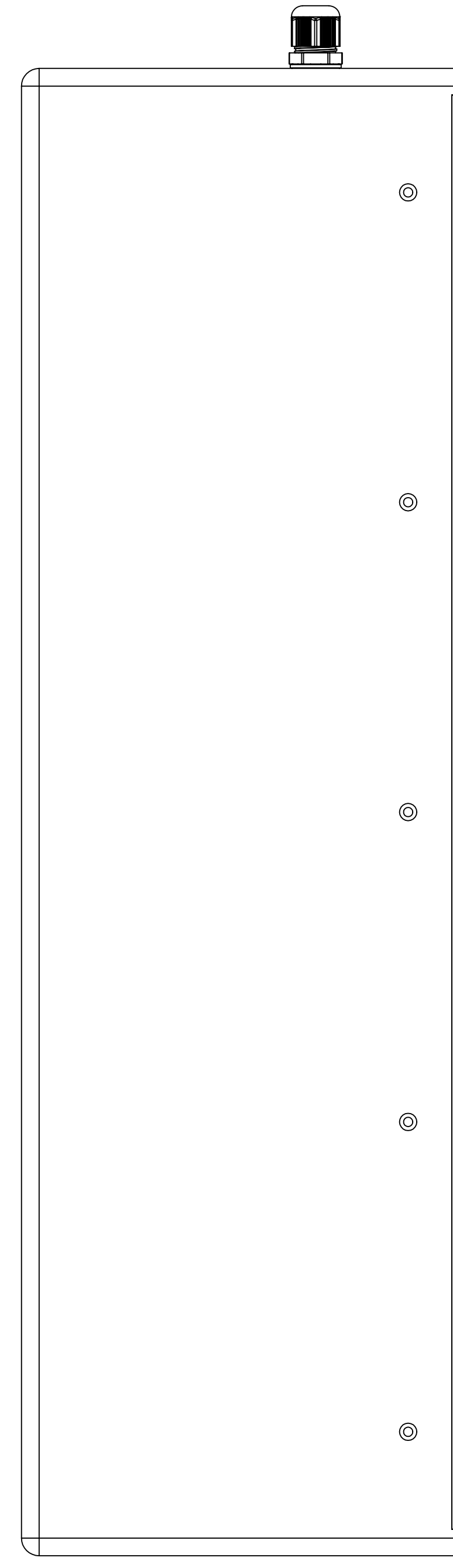


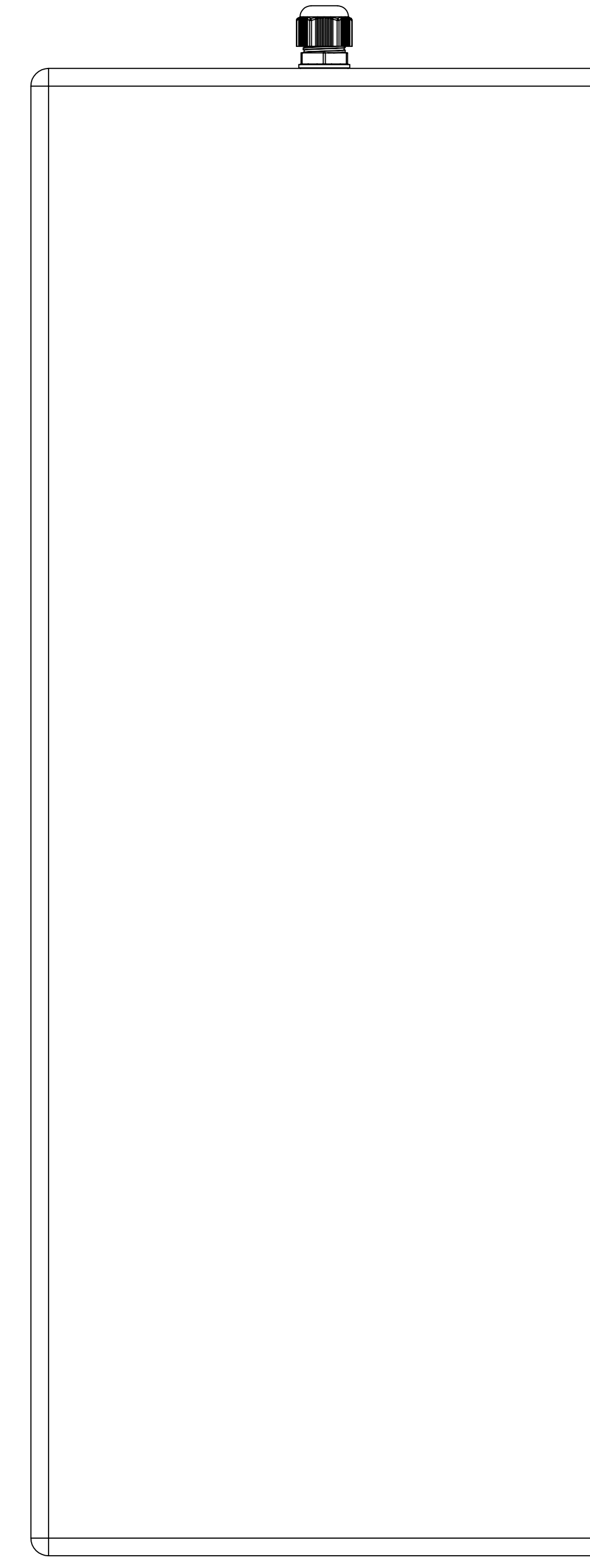
FRONT



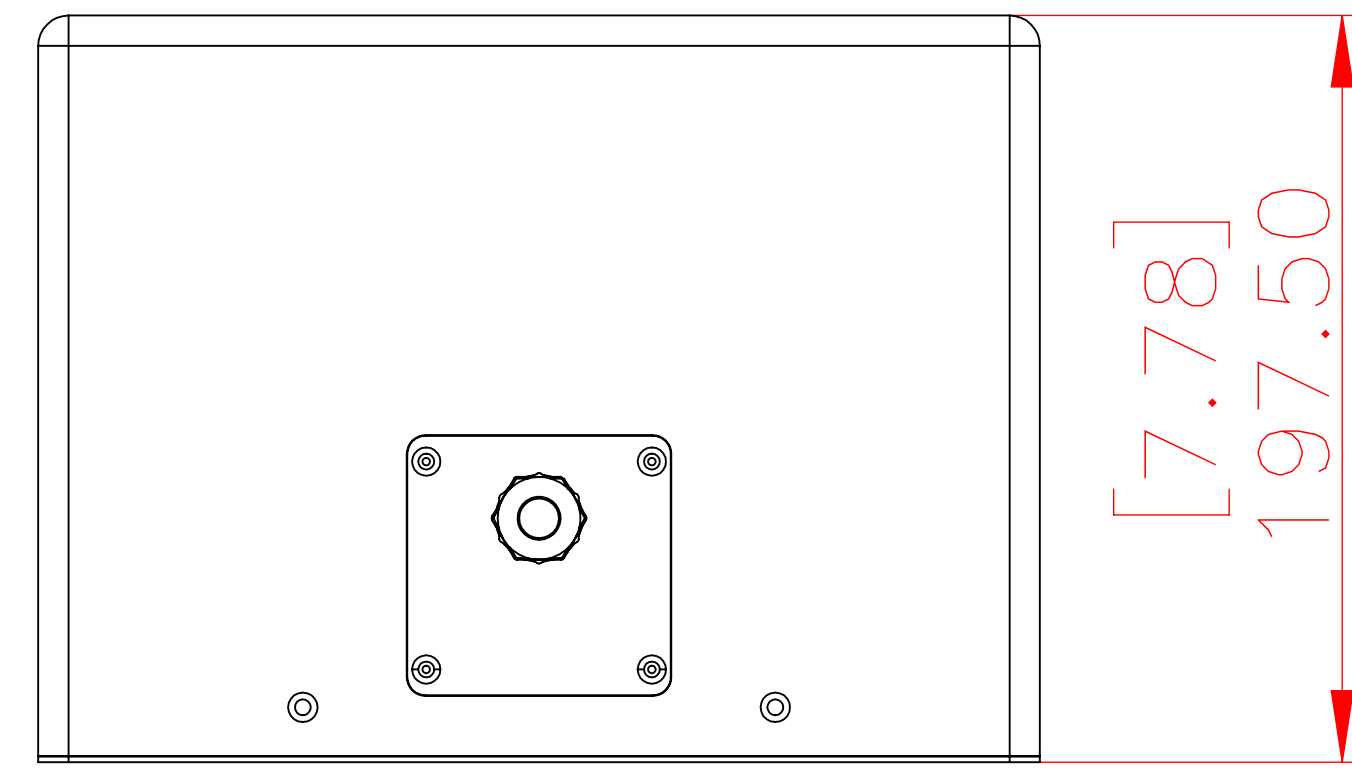
LEFT



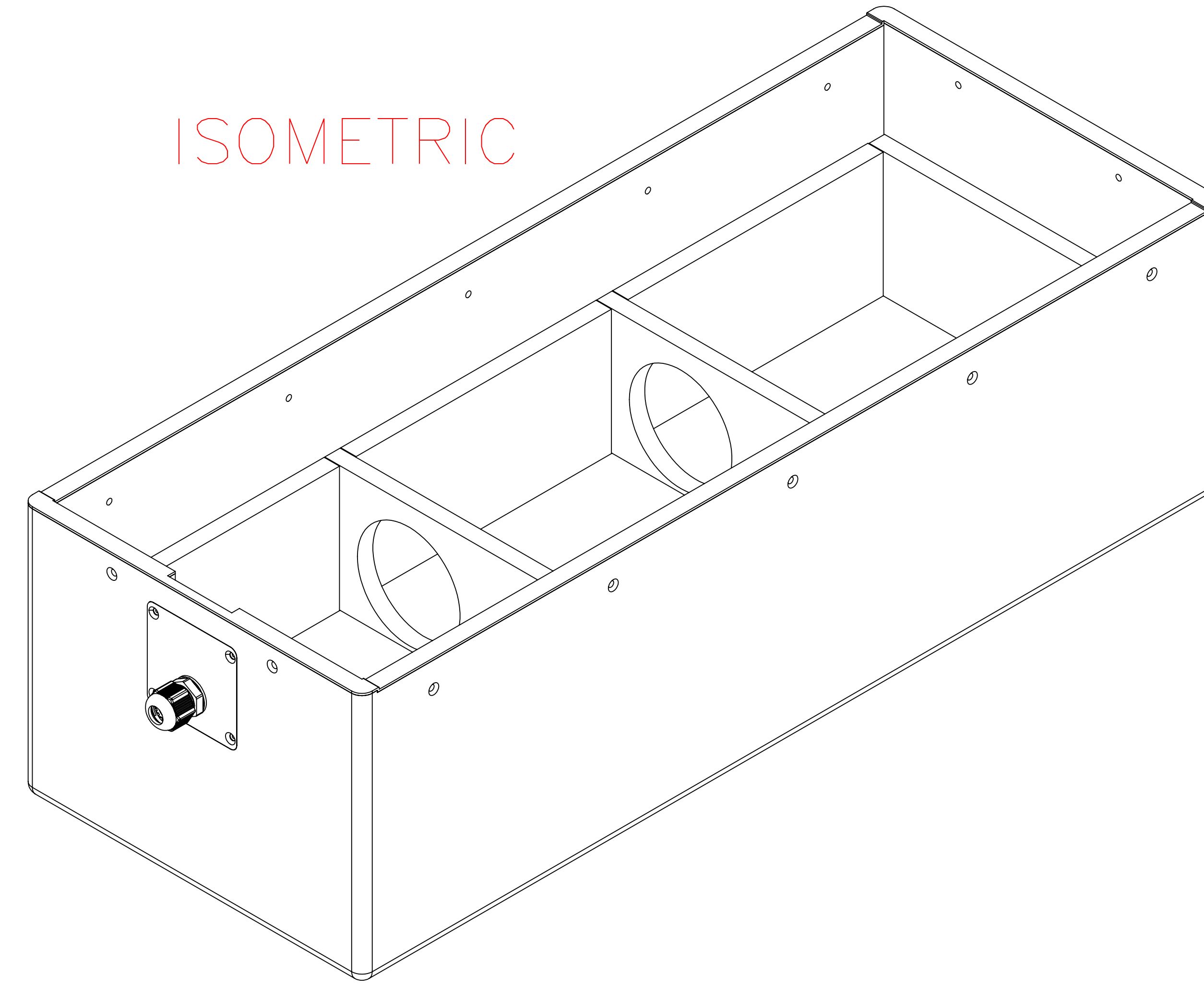
BACK



TOP



ISOMETRIC



SONANCE

991 Calle Amanecer, San Clemente, CA.
92673
58800 2-7777 949 492-7777
FAX 949 361-5579
www.sonance.com

NARROW ENCLOSURE FOR IS10 SPEAKER

SCALE: 1 : 2

DRAWN BY:

DRWN - PART NUMBER

REV.

SHEET: 01

RELEASED (IN):