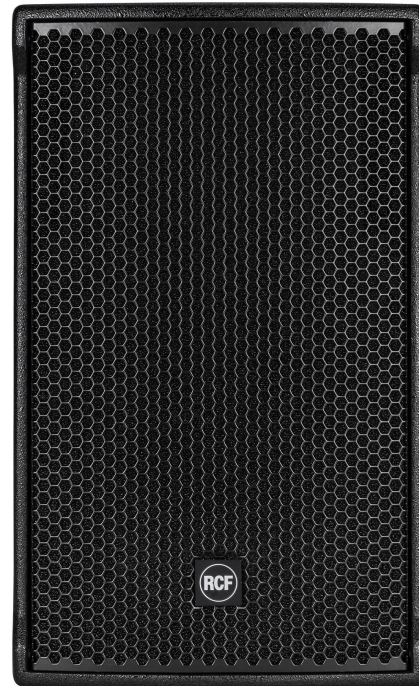


# NX 32-A

## ACTIVE TWO WAY MULTIPURPOSE SPEAKER

### DESCRIPTION

The NX 32-A is an active speaker specifically designed to be the everyday tool for rental companies and professional musicians. It's one of the most flexible speaker for deploying high-quality sound as a stand-alone FOH system or as a satellite (with subwoofer) but either as a stage monitor or a or a front, down or side fill speaker.



### FEATURES

- 1400 W 2-way class-D amplifier
- 131 dB SPL Max
- 50 - 20000 Hz Frequency Range
- 90° x 60° constant directivity coverage
- 12" woofer, 2.5" voice coil
- Horn loaded 3.0" neodymium c. driver
- Multiple rigging points

## TECHNICAL SPECIFICATIONS

<b>Acoustical specifications</b>	Frequency Response:	50 Hz ÷ 20000 Hz
	Max SPL @ 1m:	131 dB
	Horizontal coverage angle:	90°
	Vertical coverage angle:	60°
<b>Transducers</b>	Compression Driver:	1.4" neo, 3.0" v.c
	Woofers:	12", 2.5" v.c
<b>Input/Output section</b>	Input signal:	bal/unbal
	Input connectors:	XRL, Jack
	Output connectors:	XLR
	Input sensitivity:	-2 dBu/+4 dBu
	Mic. Input Sensitivity:	-32 dBu
<b>Processor section</b>	Crossover Frequencies:	700 Hz
	Protections:	Thermal, RMS
	Limiter:	Soft Limiter
	Controls:	Volume, boost, Mic/Line
<b>Power section</b>	Total Power:	1400 W Peak, 700 W RMS
	High frequencies:	400 W Peak, 200 W RMS
	Low frequencies:	1000 W Peak, 500 W RMS
	Cooling:	Convection
	Connections:	Powercon IN/OUT
<b>Standard compliance</b>	CE marking:	Yes
<b>Physical specifications</b>	Cabinet/Case Material:	Baltic birch plywood
	Hardware:	5 x M10, 4 x quick lock
	Handles:	2 Side
	Pole mount/Cap:	Yes
	Grille:	Steel
	Color:	Black
<b>Size</b>	Height:	600 mm / 23.62 inches
	Width:	365 mm / 14.37 inches
	Depth:	378 mm / 14.88 inches
	Weight:	20.6 kg / 45.42 lbs
<b>Shipping informations</b>	Package Height:	655 mm / 25.79 inches
	Package Width:	425 mm / 16.73 inches
	Package Depth:	440 mm / 17.32 inches
	Package Weight:	23.6 kg / 52.03 lbs



**PART NUMBER**

- **13000551**

NX 32-A

115V

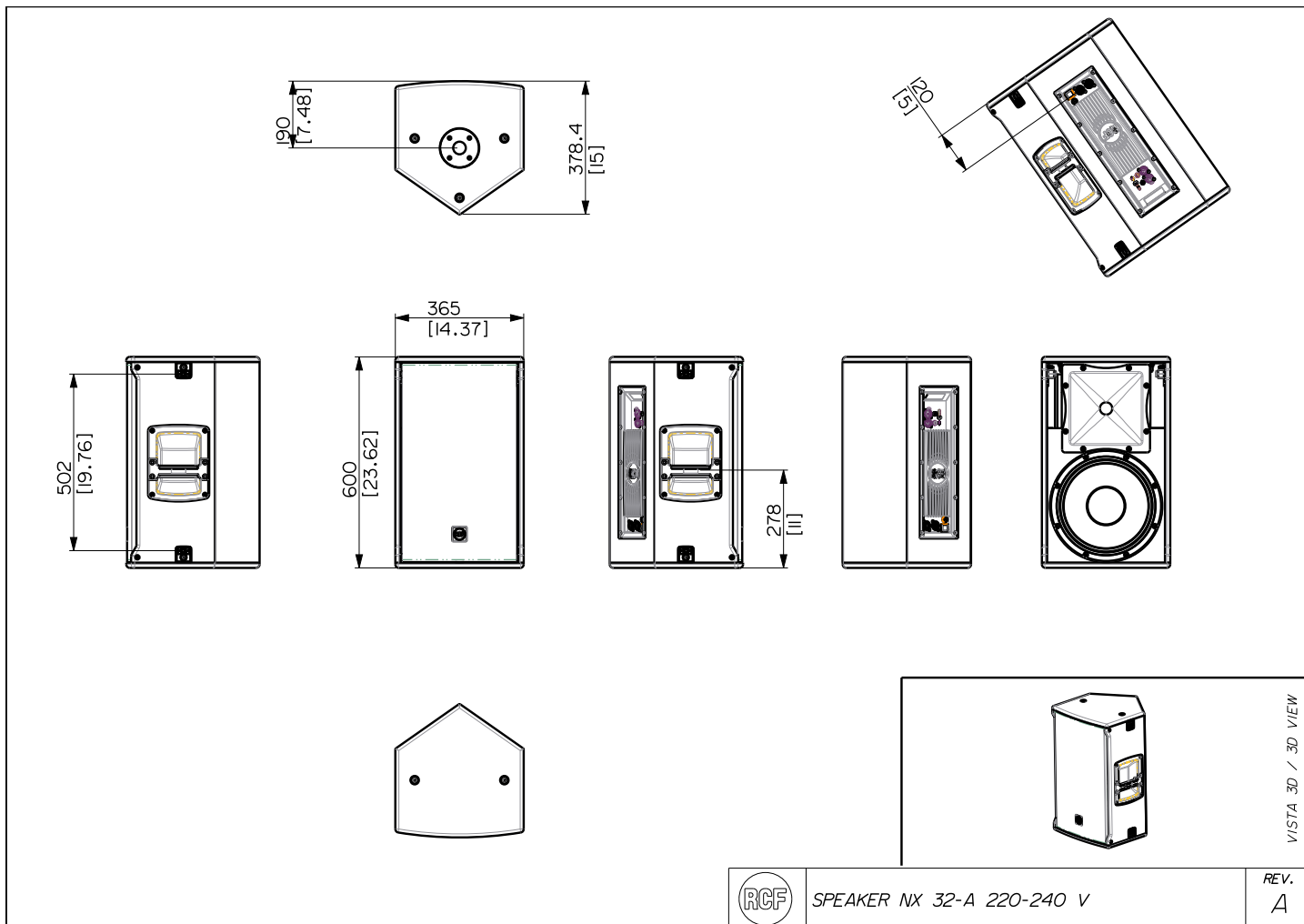
EAN 8024530015480

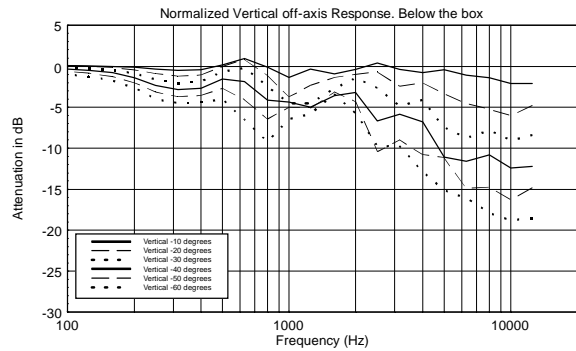
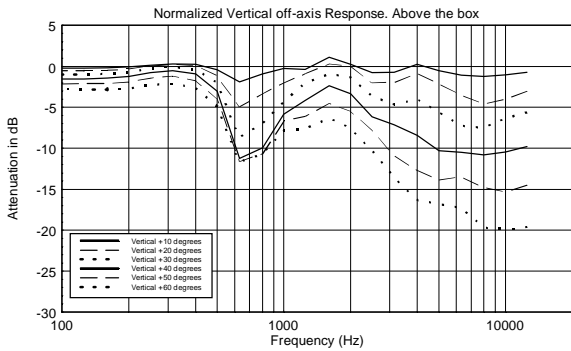
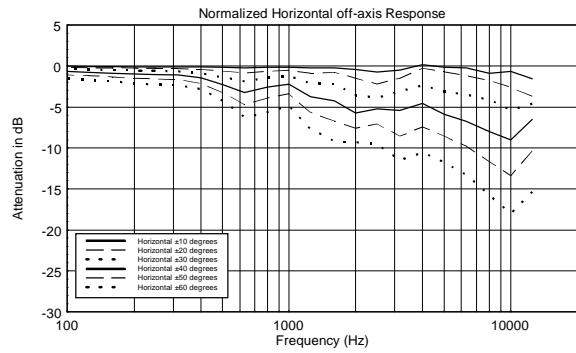
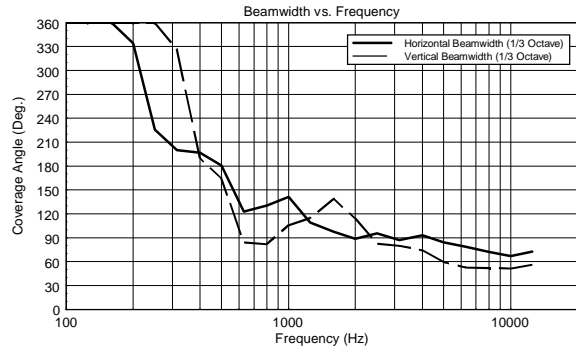
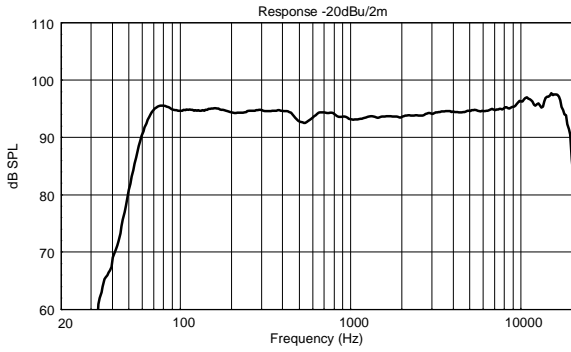
- **13000550**

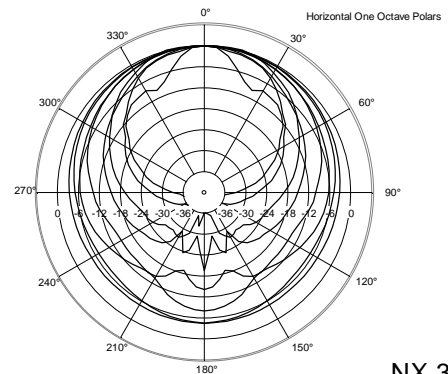
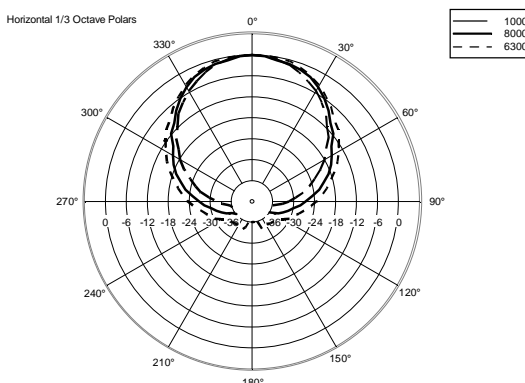
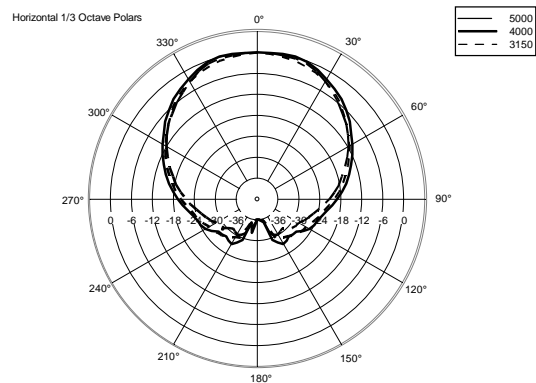
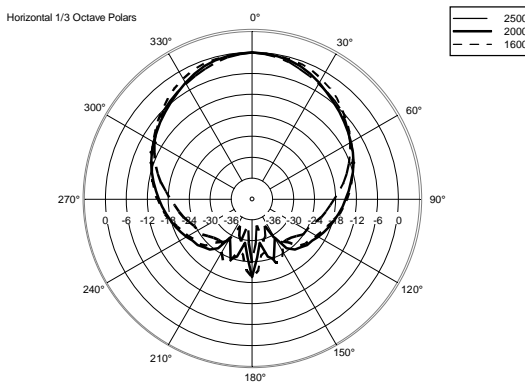
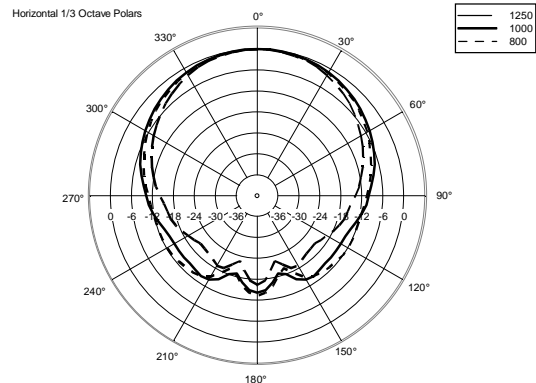
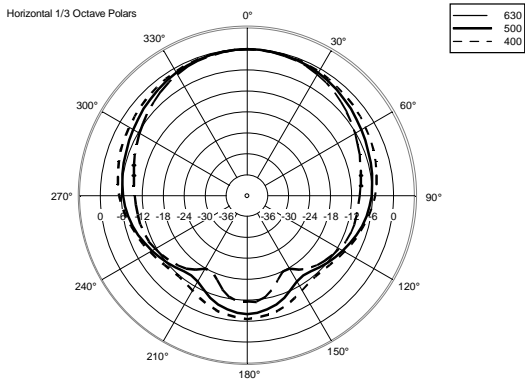
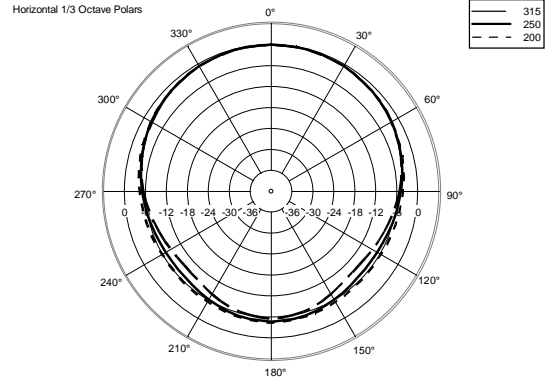
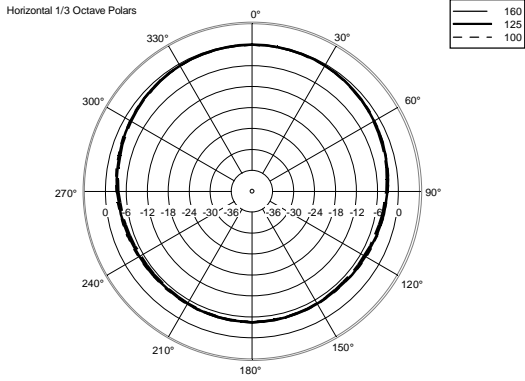
NX 32-A

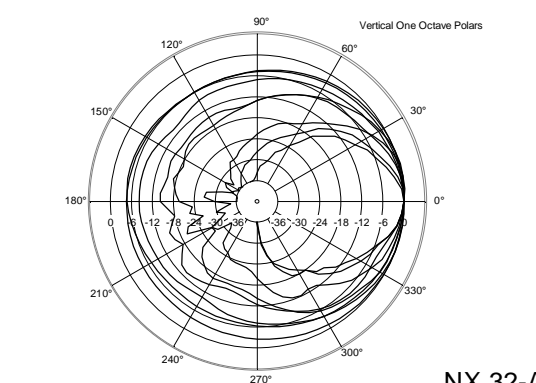
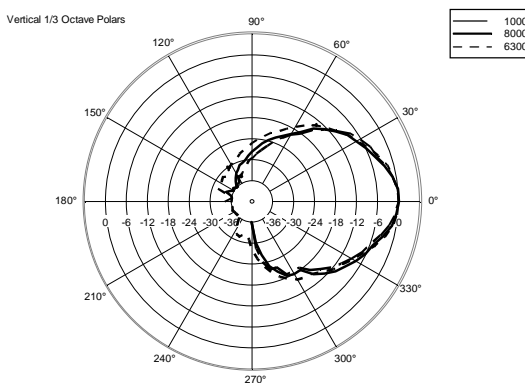
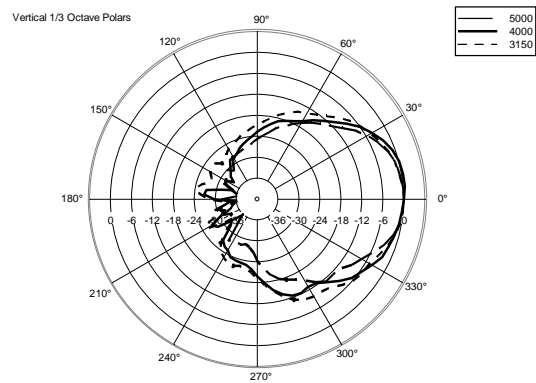
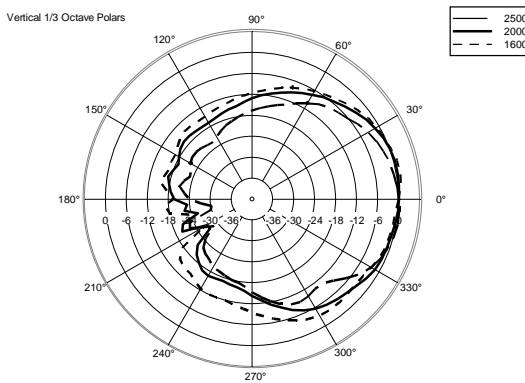
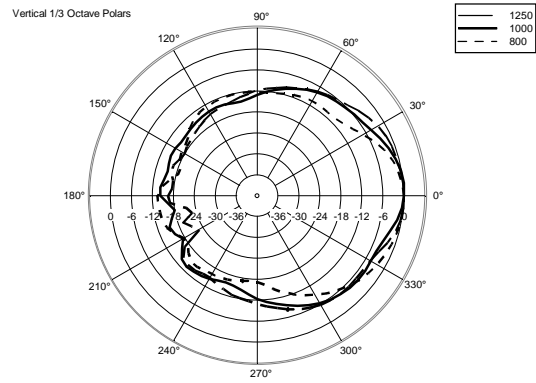
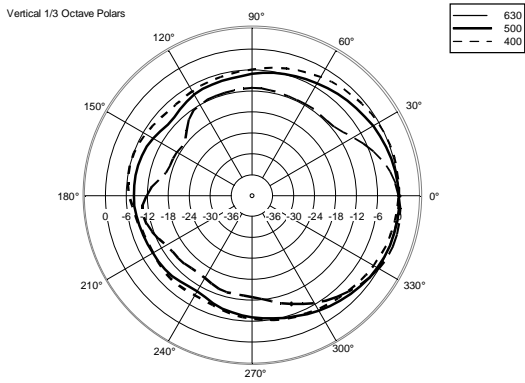
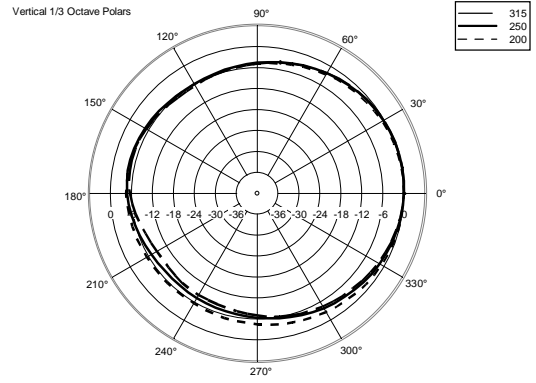
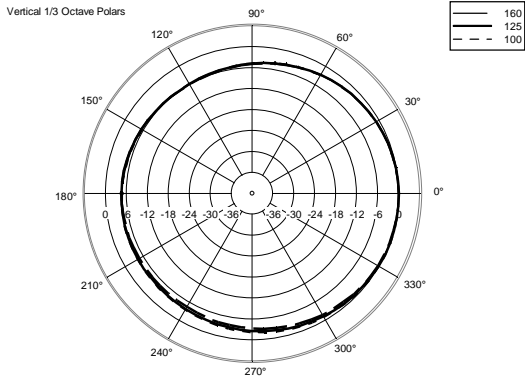
220-240V

EAN 8024530015312









**ACCESSORIES**

AC PMA - POLE MOUNT

PART NUMBER **13360034**  
EAN: 8024530007713

AC PM-M20

PART NUMBER **13360067**  
EAN: 8024530014599

AC PMX POLE MOUNT M20

PART NUMBER **13360232**  
EAN: 8024530010058

AC PRO-FS PROFESS. LOCKING FLOOR STAND

PART NUMBER **13360109**  
EAN: 8024530006471

AC PRO-PM PROFESS. LOCKING POLE MOUNT

PART NUMBER **13360110**  
EAN: 8024530006488

COVER CVR NX 32

PART NUMBER **13360408**  
EAN: 8024530016227

KIT EYEBOLT 4 X

PART NUMBER **13360031**  
EAN:

VERTICAL BRACKET V-BR TT 22 II

PART NUMBER **13360328**  
EAN: 8024530013332