

# MR 50

## TWO-WAY PASSIVE SPEAKER

### DESCRIPTION

MR 50 is a bass-reflex two-way speaker designed to deliver uncompromised audio performance and high reliability in fixed installations. Blend in with any environment and deliver deep bass, smooth midrange, and finely-detailed high-frequency response. Quality components and careful acoustic design make MR 50 the perfect speaker for listening in the most demanding applications.



### FEATURES

- 60 W RMS power handling
- 110 dB max SPL
- 60 ÷ 20000 Hz frequency range
- 110° x 100° coverage angles
- 1 x 5" woofer (1" v.c.)
- 1 x 1" neodymium dome tweeter (0.8" v.c.)
- Self-extinguishing plastic cabinet
- Swivel wall mount accessory included
- M6 inserts available for optional U bracket
- 4 pole EUROBLOCK connector (audio input and parallel link output)

## TECHNICAL SPECIFICATIONS

<b>Acoustical specifications</b>	Frequency Response (-10dB):	60 Hz ÷ 20000 Hz
	Max SPL @ 1m:	110 dB
	Horizontal coverage angle:	110°
	Vertical coverage angle:	100°
	Directivity index Q:	7
	System Sensitivity:	87 dB
<b>Power section</b>	Nominal Impedance:	8 ohm
	Power Handling:	60 W RMS
	Peak Power Handling:	240 W PEAK
	Recommended Amplifier:	120 W
	Protections:	Bulb lamp
	Crossover Frequencies:	3000 Hz
<b>Transducers</b>	Dome Tweeter:	1.0" neo, 0.8" v.c
	Woofers:	5.0", 1.0" v.c
<b>Input/Output section</b>	Input connectors:	Euroblock
	Output connectors:	Euroblock
<b>Standard compliance</b>	CE marking:	Yes
<b>Physical specifications</b>	Cabinet/Case Material:	Plastic
	Hardware:	Wall mount bracket
	Grille:	Steel
	Color:	Black - RAL 9005, White - RAL 9003
<b>Size</b>	Height:	270 mm / 10.63 inches
	Width:	187 mm / 7.36 inches
	Depth:	167 mm / 6.57 inches
	Weight:	3.8 kg / 8.38 lbs
<b>Shipping informations</b>	Package Height:	370 mm / 14.57 inches
	Package Width:	510 mm / 20.08 inches
	Package Depth:	250 mm / 9.84 inches
	Package Weight:	8.5 kg / 18.74 lbs

## PART NUMBER

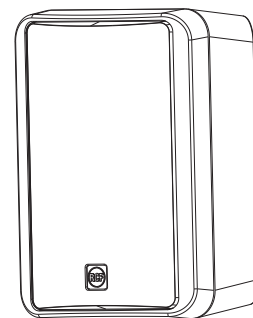
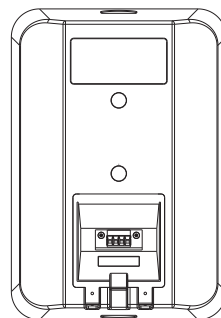
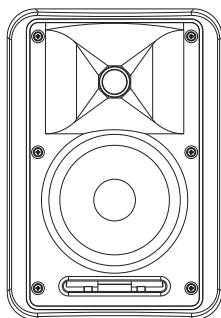
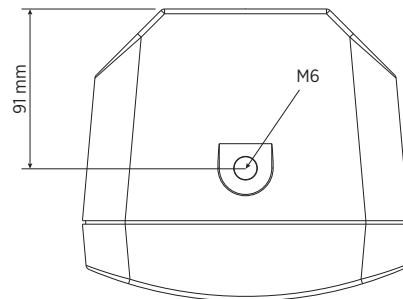
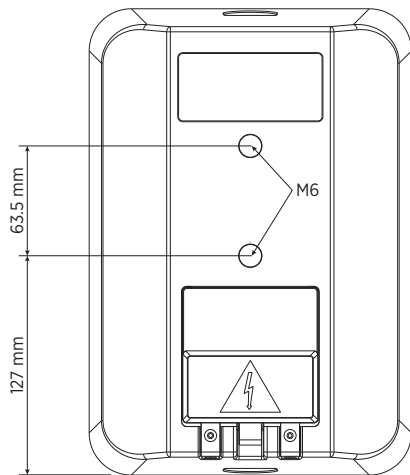
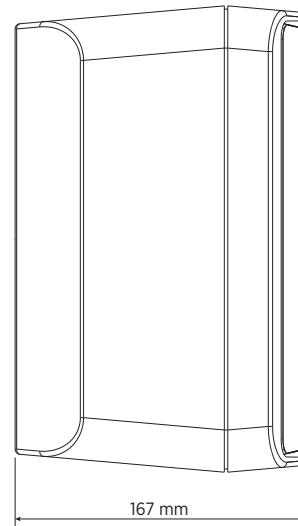
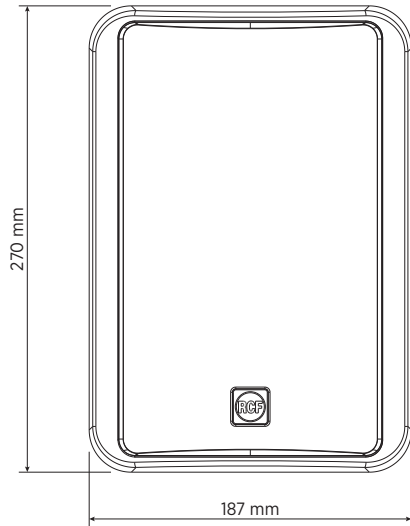
- **13100040**

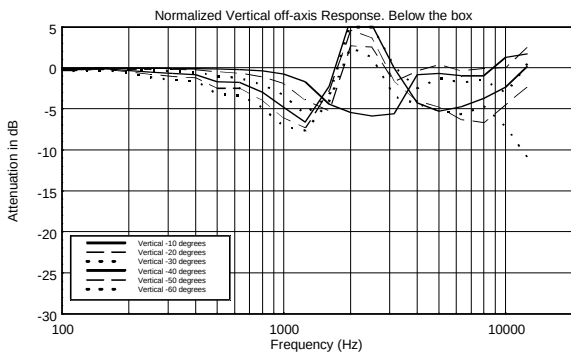
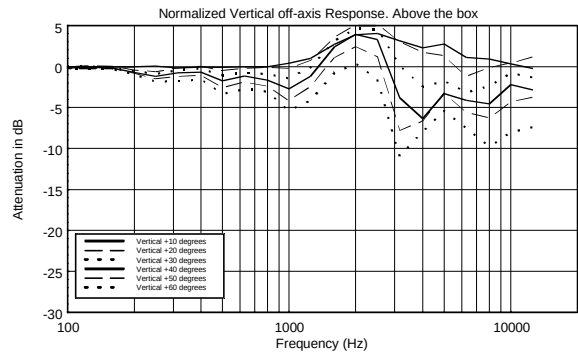
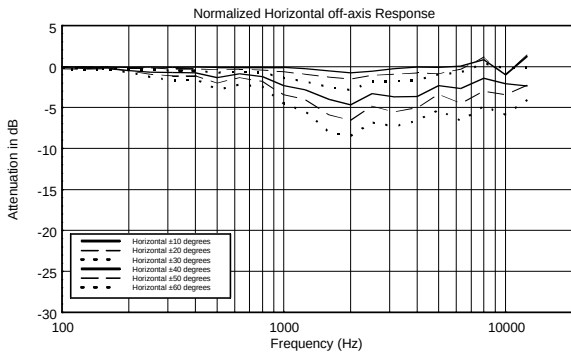
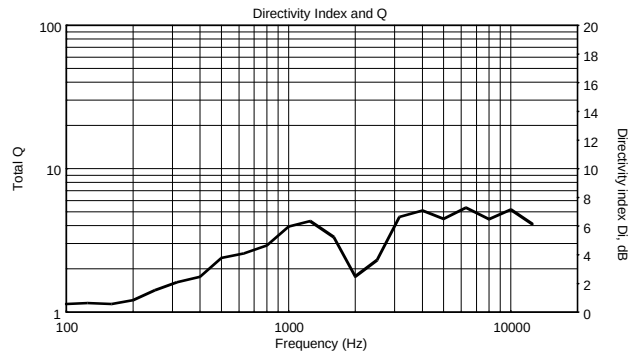
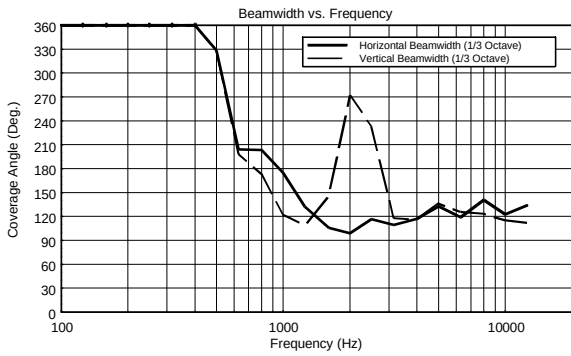
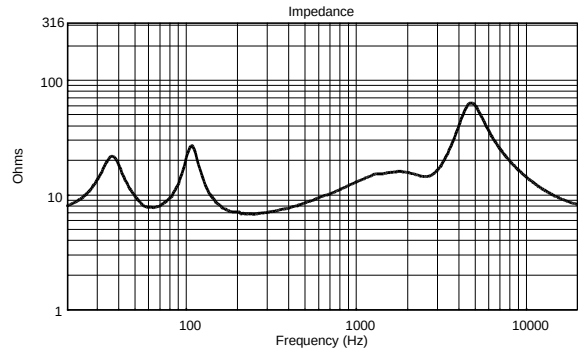
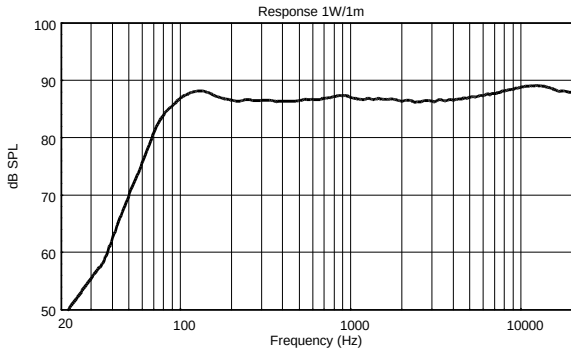
MR 50 W  
White - RAL 9003  
EAN 8024530017293

- **13100038**

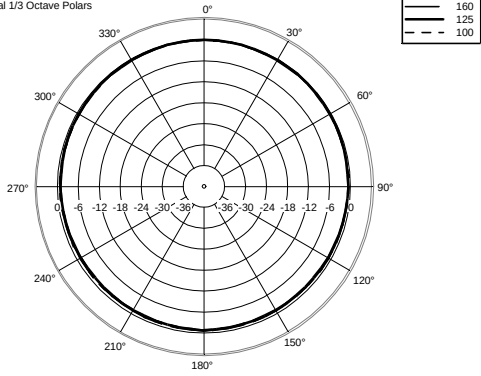
MR 50  
Black - RAL 9005  
EAN 8024530017187

**DRAWINGS**

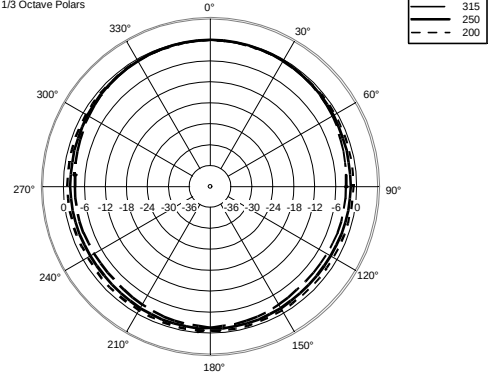




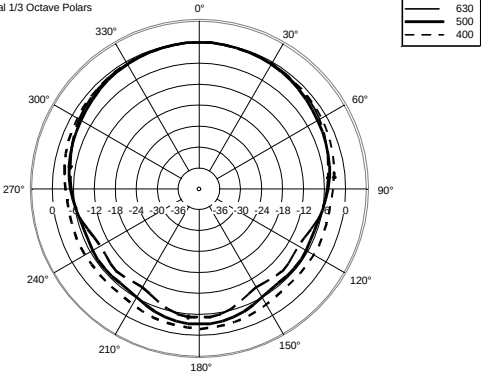
Horizontal 1/3 Octave Polars



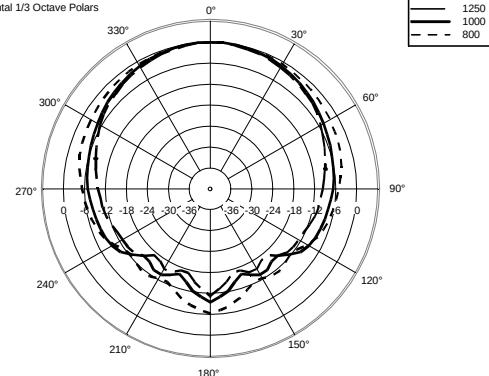
Horizontal 1/3 Octave Polars



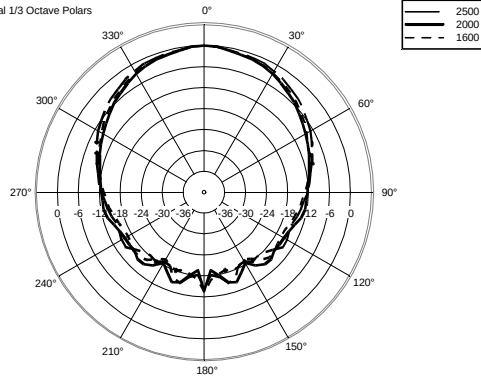
Horizontal 1/3 Octave Polars



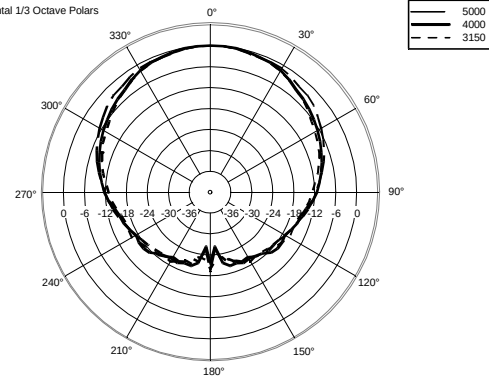
Horizontal 1/3 Octave Polars



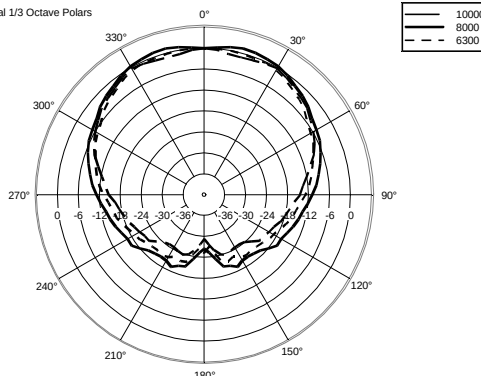
Horizontal 1/3 Octave Polars



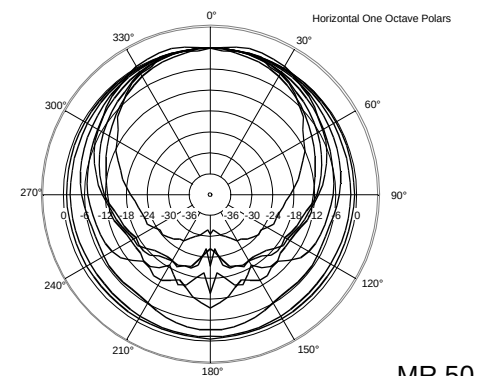
Horizontal 1/3 Octave Polars

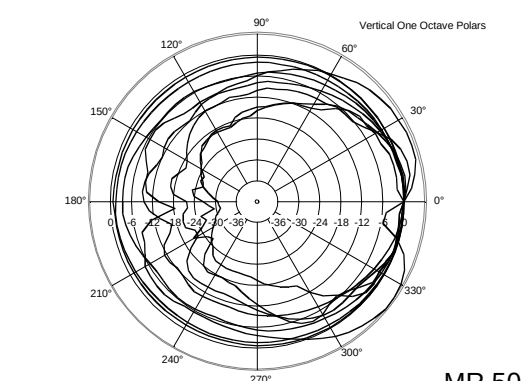
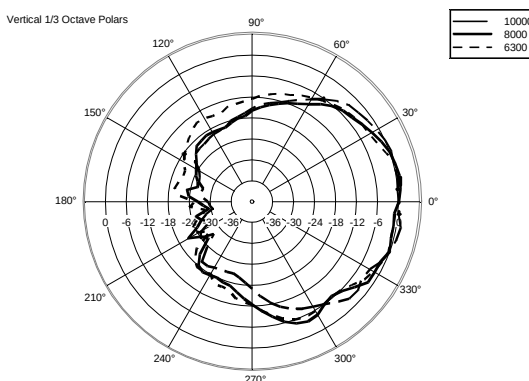
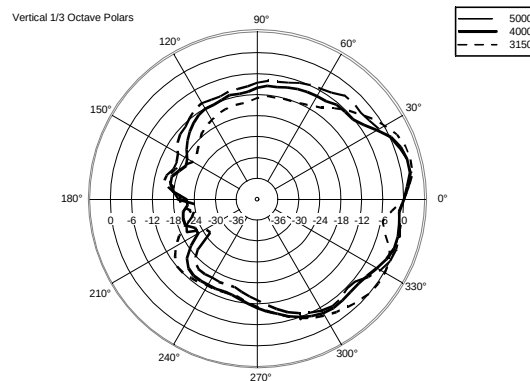
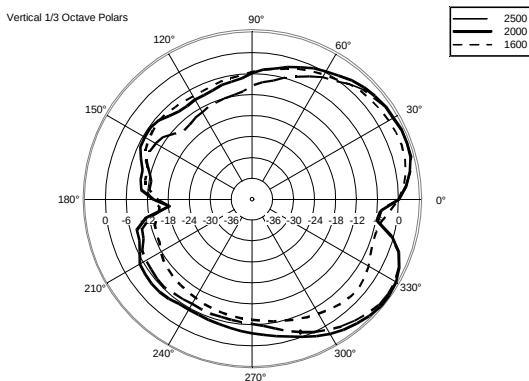
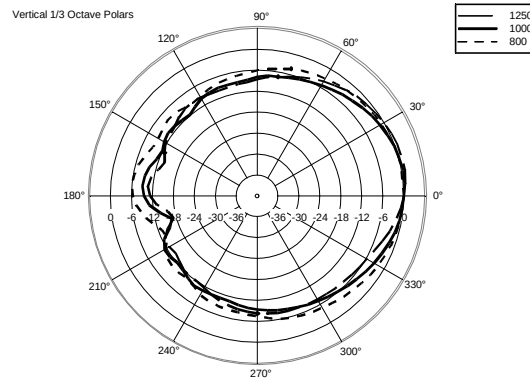
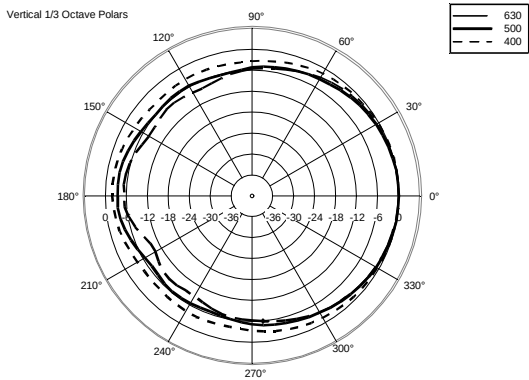
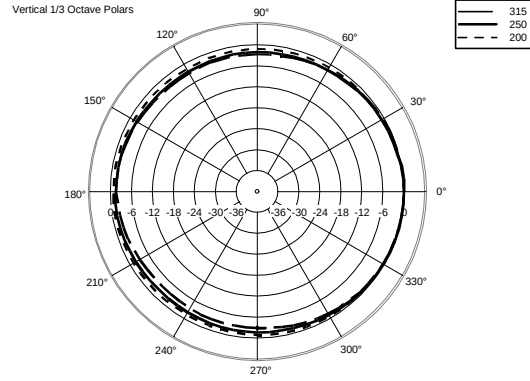
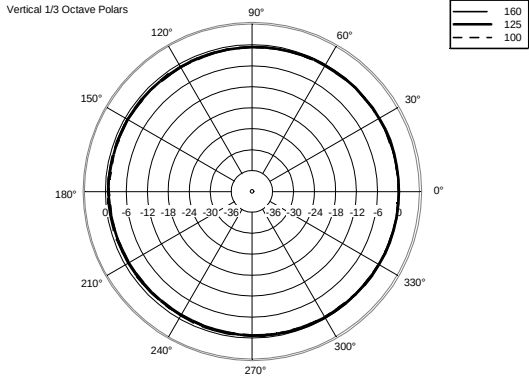


Horizontal 1/3 Octave Polars



Horizontal One Octave Polars





**ACCESSORIES**

MOUNTAING ACCESSORY MA 5

PART NUMBER **13360369**  
EAN: 8024530014322

MOUNTAING ACCESSORY MA 5 W

PART NUMBER **13360370**  
EAN: 8024530014339



## **A&E SPECIFICATIONS**

The product shall be a multipurpose two-way bass-reflex speaker, suitable for a wide range of applications, providing a balanced sound in near-field applications to get the best intelligibility.

Its design shall be elegant and compact with accurate finishing, suitable for almost any environment, even with architectural constraints.

It shall be equipped with a 5" woofer and a 1" dome tweeter.

Optional mounting accessories shall be available for wall or ceiling installations.

---