

HS 2200

ARRAY SUBWOOFER

DESCRIPTION

The HS 2200 is an array subwoofer system that incorporates a 18" woofer, 4.0" voice coil . The system is very compact and provides very high output and accurate voice and sound reproduction. The system is equipped with the latest generation of RCF precision transducers. Connections to the amplifier are made through a watertight Amphenol multi-pole connector. The grille is in custom perforated steel, epoxy coated, with open-cell fibres and water repellent woven fabric backing. The cabinet is constructed of multiply Baltic birch marine plywood and finished in a very resistant, textured, polyurea black paint.



FEATURES

- Array subwoofer
- 18" RCF Precision woofers with 4" voice coil
- 136 dB Max SPL
- System Power rating 900 Watt RMS
- Safe and solid variable array mechanics
- Baltic Birch Plywood enclosure with internal structural metal bracings

TECHNICAL SPECIFICATIONS

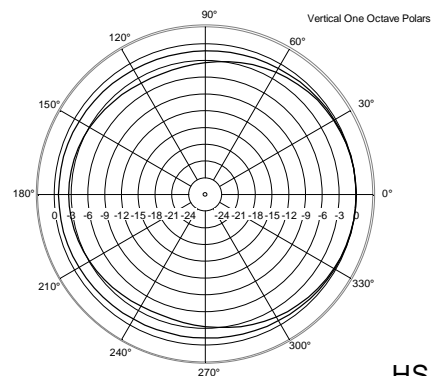
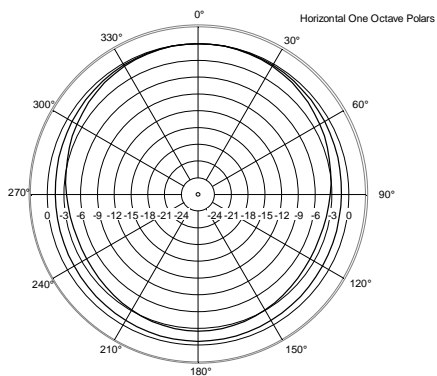
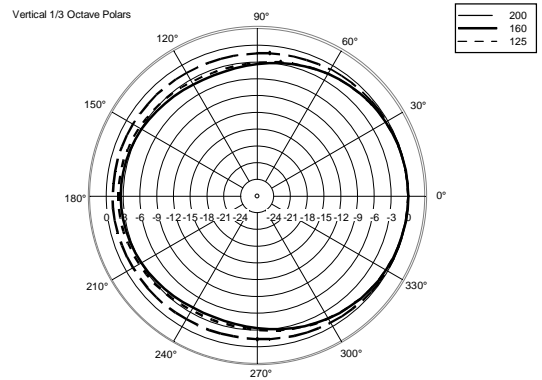
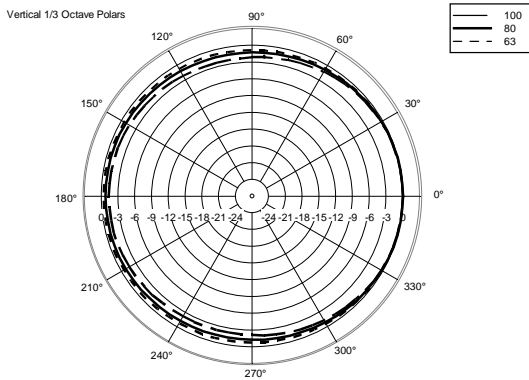
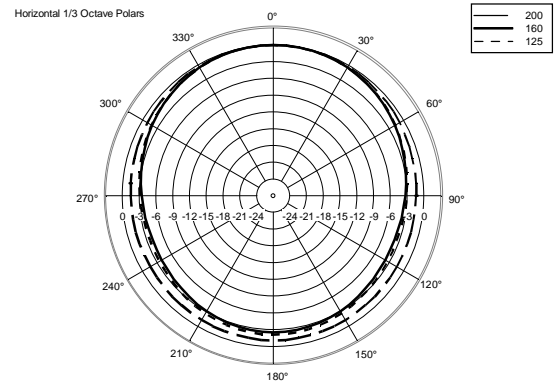
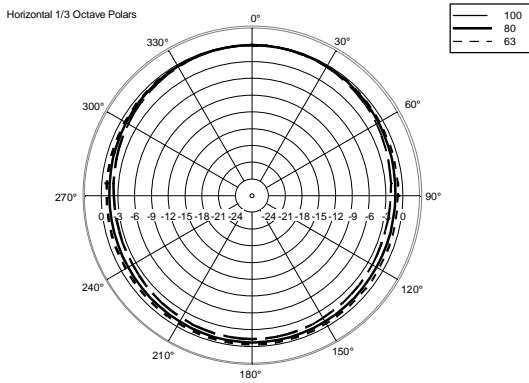
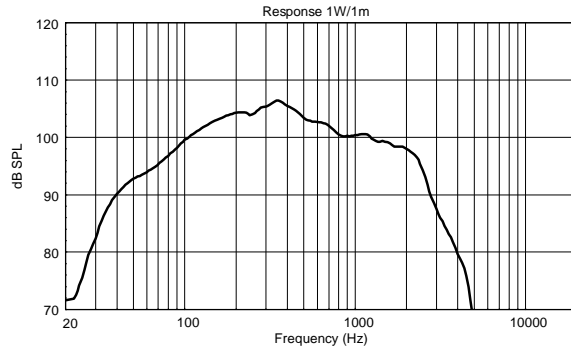
Acoustical specifications	Frequency Response (-10dB):	30 Hz ÷ 200 Hz
	Frequency Response (-3dB):	35 Hz ÷ 200 Hz
	Max SPL @ 1m:	136 dB
	System Sensitivity:	100 dB
Power section	Nominal Impedance (ohm):	8 ohm
	Power Handling:	900 W RMS
	Peak Power Handling:	3600 W PEAK
	Recommended Amplifier:	1800 W
Transducers	Woofer:	18", 4.0" v.c
	Nominal Impedance (ohm):	8 ohm
	Input Power Rating:	900 W AES, 1800 W PEAK
	Sensitivity:	100 dB, 1W @ 1m
Input/Output section	Input connectors:	Amphenol eco/mat IP 67
	Output connectors:	Amphenol eco/mat IP 67
Standard compliance	CE marking:	Yes
Physical specifications	Cabinet/Case Material:	Baltic birch plywood
	Hardware:	Side and rear array rigging point
	Grille:	Steel
	Color:	Black
Size	Height:	530 mm / 20.87 inches
	Width:	771 mm / 30.35 inches
	Depth:	635 mm / 25 inches
	Weight:	50.8 kg / 111.99 lbs
Shipping informations	Package Height:	720 mm / 28.35 inches
	Package Width:	860 mm / 33.86 inches
	Package Depth:	820 mm / 32.28 inches
	Package Weight:	52.3 kg / 115.3 lbs

PART NUMBER

- **13000406**

HS 2200

EAN 8024530011628



ACCESSORIES



FLY BAR FL-B HL

PART NUMBER

13360282

EAN:

8024530011734
