

C 3108-126

TWO-WAY PASSIVE SPEAKER

DESCRIPTION

The C3108-126 is a full range extremely versatile wide-dispersion, low profile, two-way loudspeaker system for near field applications.

Its compact size makes it ideal for low visibility side wall mounting. The high-frequency section is a constant directivity horn loaded to a 1" compression driver with a 1.5" diaphragm assembly for smooth, wide dispersion. The low-frequency transducer is an 8" woofer with a 2" voice coil.



FEATURES

- 120°x 60° CMD (Constant Matching Design) constant directivity horn
- Rotatable Horn System for horizontal cabinet mounting applications
- HF driver AMCDP (Active Mosfet Compression Driver Protection)
- LICC (Low Impedance Compensated Crossover) network
- 8 Suspension points
- Omnimount™ 75 Plate fixing positions on rear of cabinet

TECHNICAL SPECIFICATIONS

Acoustical specifications	Frequency Response (-10dB):	70 Hz ÷ 20000 Hz
	Max SPL @ 1m:	126 dB
	Horizontal coverage angle:	120°
	Vertical coverage angle:	60°
	Directivity index Q:	9
	System Sensitivity:	95 dB
Power section	Nominal Impedance (ohm):	8 ohm
	Power Handling:	300 W RMS
	Peak Power Handling:	1200 W PEAK
	Recommended Amplifier:	600 W
	Protections:	Dynamic active mosfet
	Crossover Frequencies:	2000 Hz
Transducers	Compression Driver:	1.0", 1.5" v.c
	Nominal Impedance (ohm):	8 ohm
	Input Power Rating:	25 W AES, 50 W PEAK
	Sensitivity:	106 dB, 1W @ 1m
	Woofer:	8", 2.0" v.c
	Nominal Impedance (ohm):	8 ohm
	Input Power Rating:	200 W AES, 400 W PEAK
Sensitivity:	94 dB, 1W @ 1m	
Input/Output section	Input connectors:	Speakon® NL4
	Output connectors:	Speakon® NL4
Standard compliance	CE marking:	Yes
Physical specifications	Cabinet/Case Material:	Baltic birch plywood
	Hardware:	6 x M8 (rear), 2 x M10 (side), multiplates (top and bottom)
	Pole mount/Cap:	Yes
	Grille:	Steel with robust double mesh polyester clothing
	Color:	Black
Size	Height:	427 mm / 16.81 inches
	Width:	242 mm / 9.53 inches
	Depth:	263 mm / 10.35 inches
	Weight:	12 kg / 26.46 lbs
Shipping informations	Package Height:	494 mm / 19.45 inches
	Package Width:	329 mm / 12.95 inches
	Package Depth:	364 mm / 14.33 inches
	Package Weight:	13.5 kg / 29.76 lbs



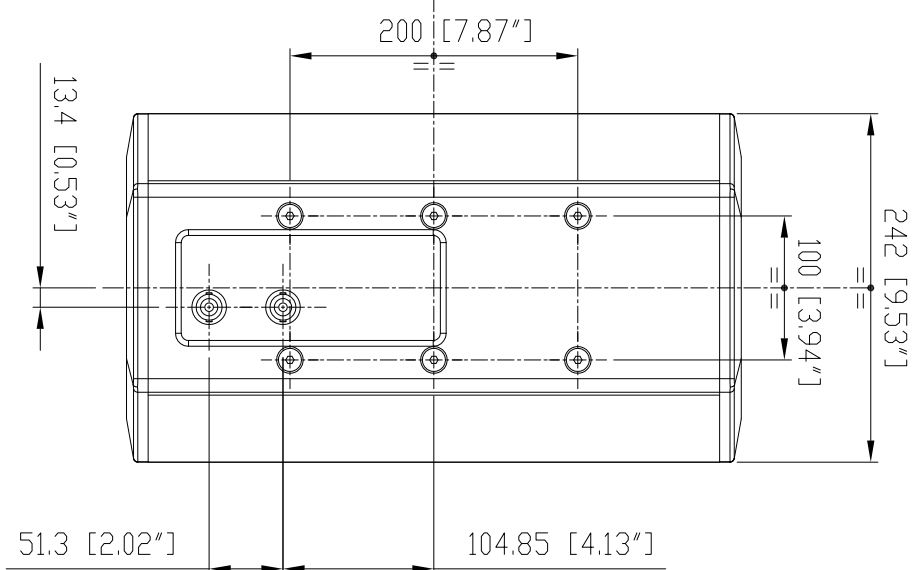
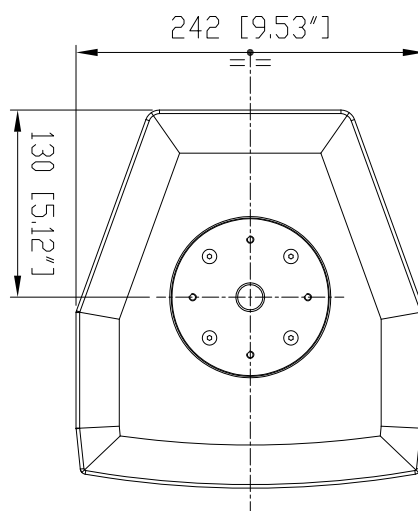
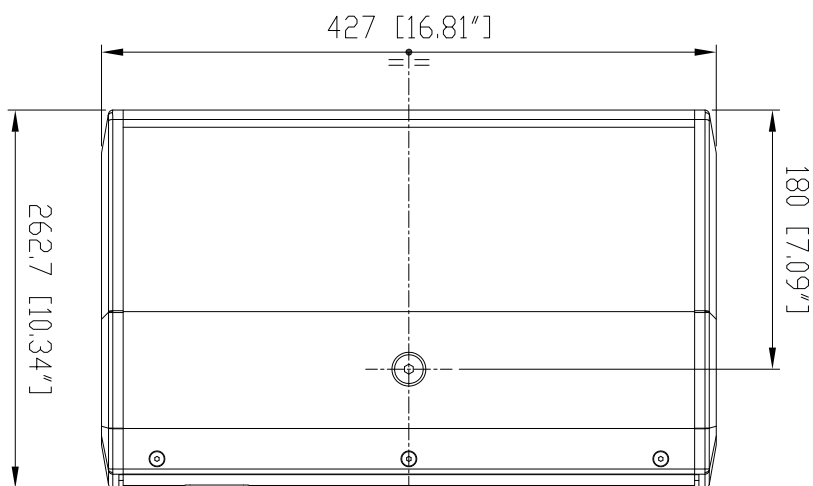
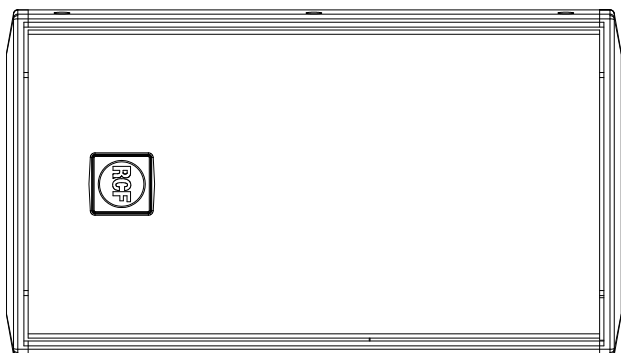
PART NUMBER

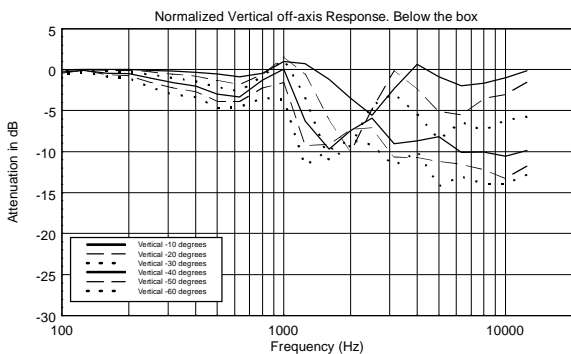
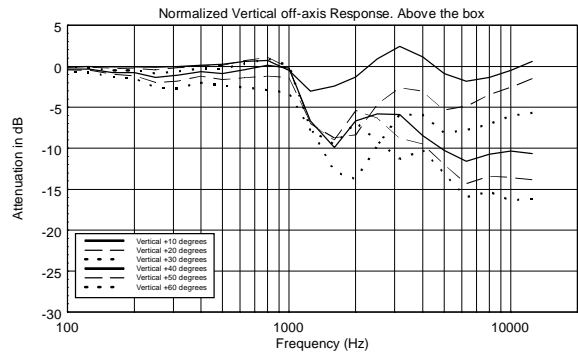
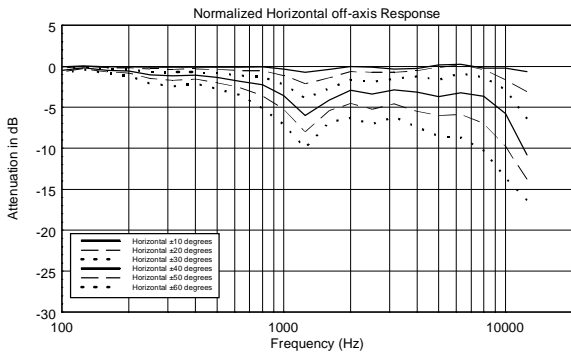
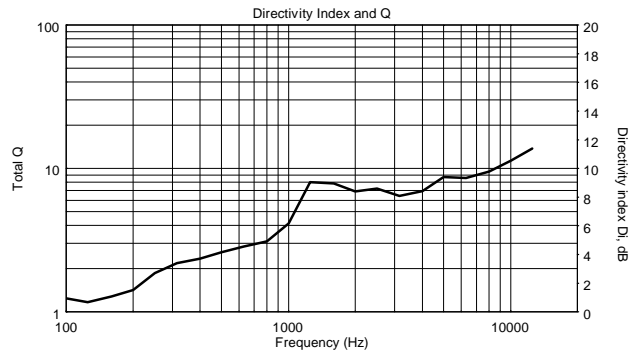
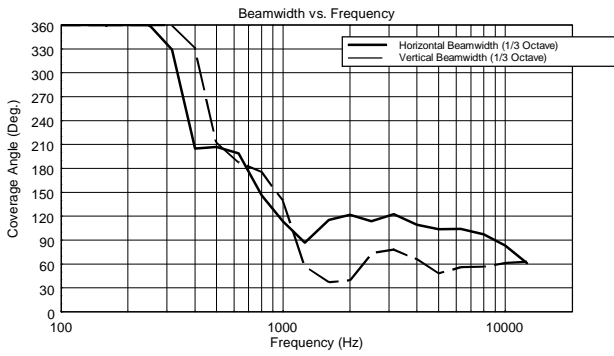
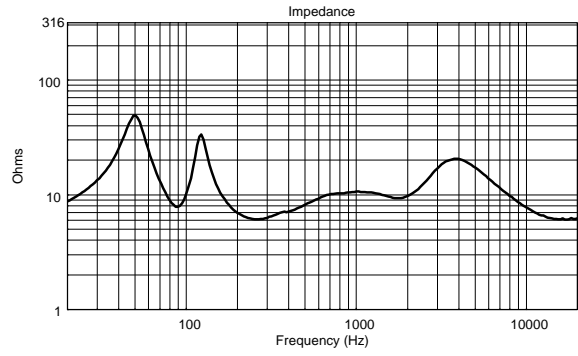
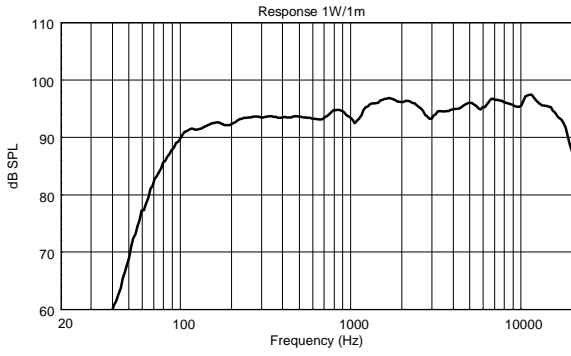
- **13000282**

C 3108-126

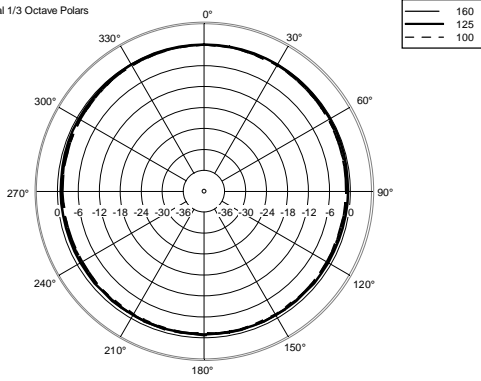
EAN 8024530009151

C3108 NEW

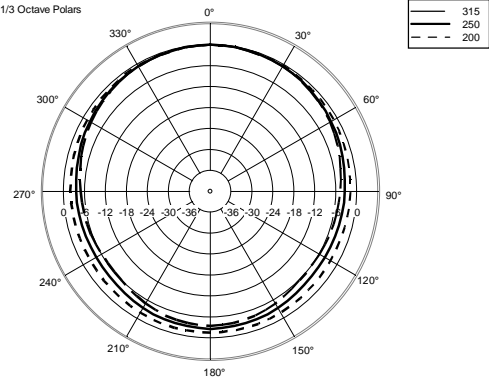




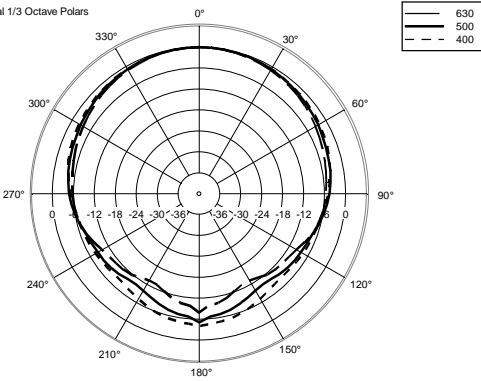
Horizontal 1/3 Octave Polars



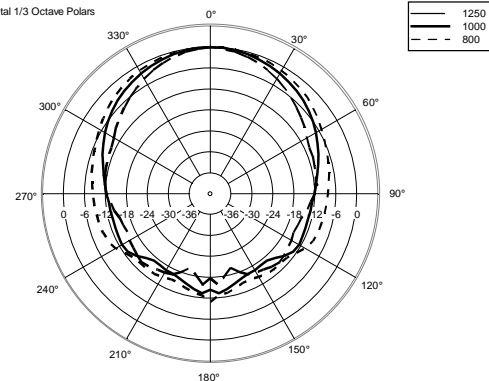
Horizontal 1/3 Octave Polars



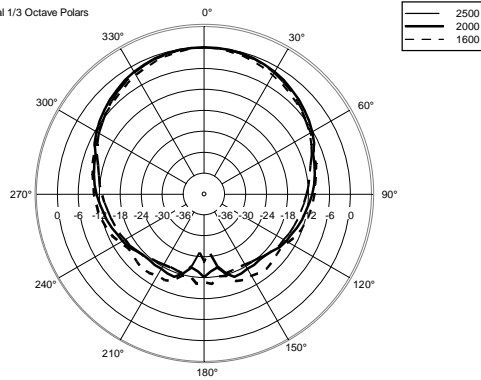
Horizontal 1/3 Octave Polars



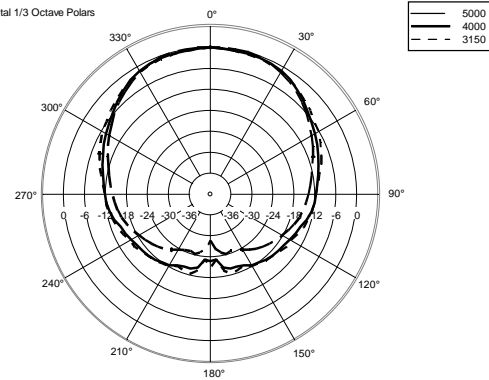
Horizontal 1/3 Octave Polars



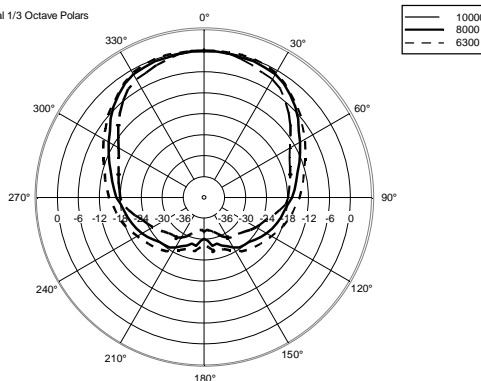
Horizontal 1/3 Octave Polars



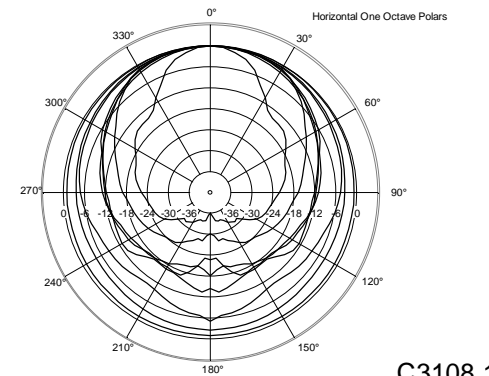
Horizontal 1/3 Octave Polars

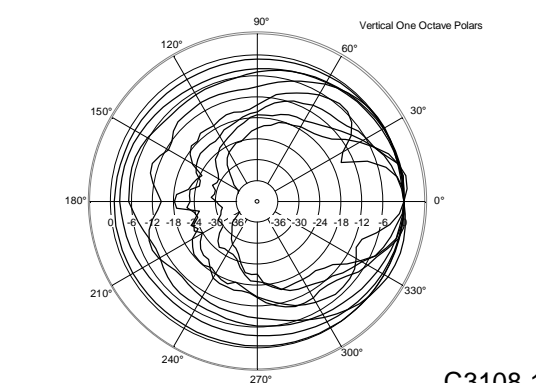
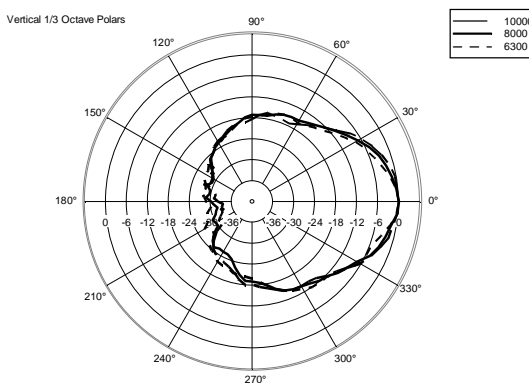
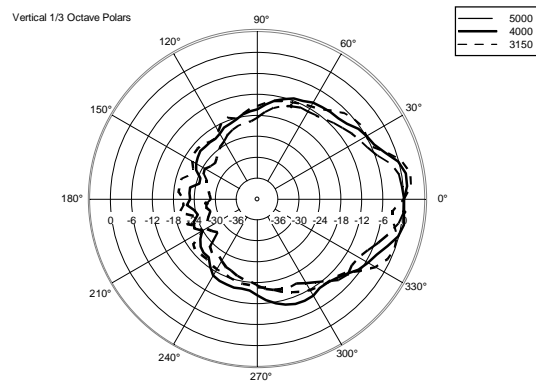
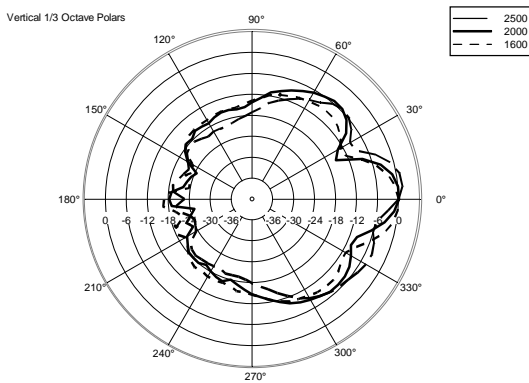
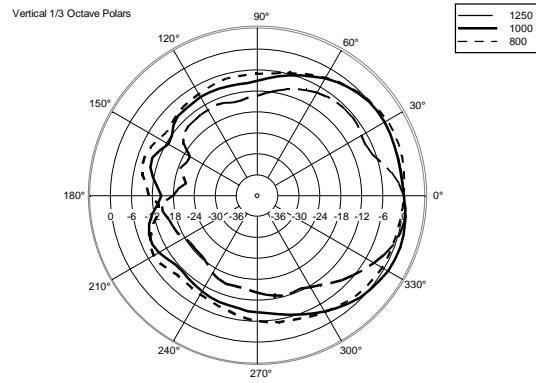
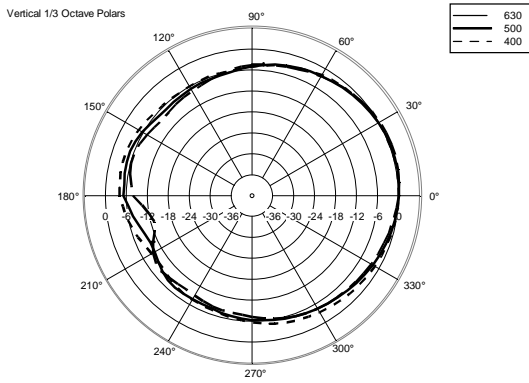
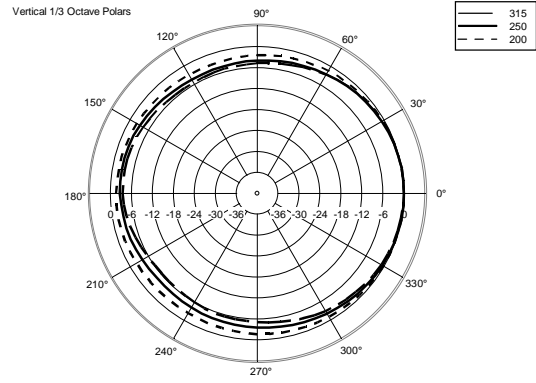
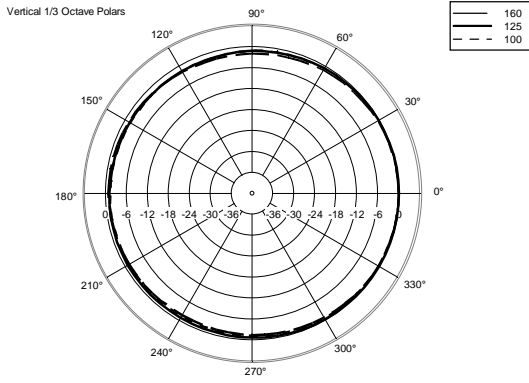


Horizontal 1/3 Octave Polars



Horizontal One Octave Polars





ACCESSORIES

AC NC PIPE CLAMP

PART NUMBER **13360217**
EAN:

AC NC-FB1 FLYING BRACKET NC06/08/10

PART NUMBER **13360200**
EAN: 8024530007461

AC WM-C WALL MOUNT FOR NEW COMPACT

PART NUMBER **13360199**
EAN: 8024530007355

HORIZONTAL BRACKET H-BR 2X NC08

PART NUMBER **13360190**
EAN: 8024530007485

VERTICAL BRACKET V-BR 2X NC08

PART NUMBER **13360195**
EAN: 8024530007423