

OMEGA™

Two-Input Switcher for HDMI and USB-C with USB Hub

Application Programming Interface
1.0

Version Information

Version	Release Date	Notes
1	Nov 2022	Combined MH21-CP API with MH21 API documentation

Introduction

General

This document provides an alphabetical list of commands available for AT-OME-MH21 / AT-OME-MH21-CP. Commands are case-sensitive. If the command fails or is entered incorrectly, then the feedback is “Command FAILED”. Commands can be sent using RS-232, Telnet, SSH, or TCP. There should be a 500 millisecond delay between each command sent to the unit. The default port for Telnet is 23. TCP ports are 9000 and 9002.



IMPORTANT: Each command is terminated with a carriage-return (0x0d) and the feedback is terminated with a carriage-return and line-feed (0x0a).

Ports

This product can communicate directly with local and remote RS-232 ports using a direct TCP socket connection. Refer to the table below for the port assignment for this product. For ports connected to RS-232 interfaces, no additional payload is required to transmit data to the device. All data sent to the respective TCP port will be sent bit-for-bit to the RS-232 output. Note that if feedback is required from the RS-232 device, the TCP socket must be kept open. This product does not provide buffer or queuing registers. Therefore, any data from the RS-232 port that is received while the TCP socket connection is closed, will be lost.

Port	Description
9000	MCU (similar to Telnet)
9002	Local RS-232 port

Example:

With the device IP address of 192.168.1.100 and a PJLINK projector connected to the RS-232 output.

1. Open a TCP socket to 192.168.1.100:9002 and send the following command string:

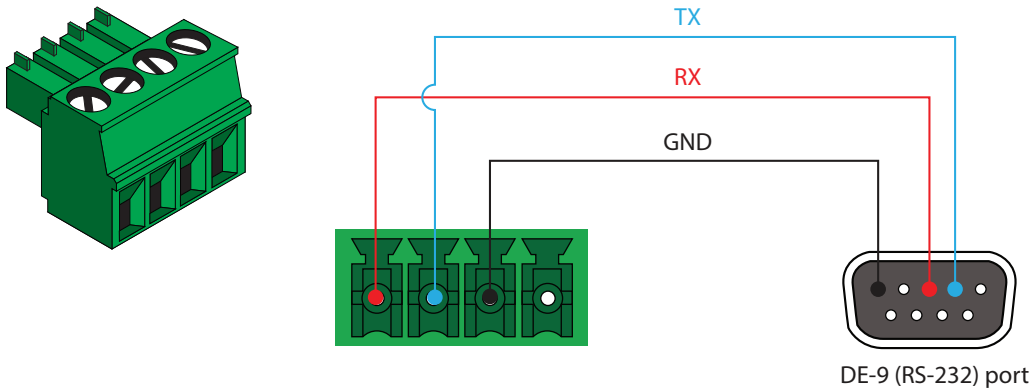
```
%1POWR 1\x0D
```

2. The projector will respond with the following, using the same socket connection:

```
$1POWR=OK\x0D
```

RS-232

A 4-pin captive screw connector has been included for RS-232.



RS-232 is often connected through a DB 9-pin to captive screw connector. The pins will have functions associated with them, some will be unassigned.

Pin out will be determined by the RS-232 cable and connect as RX (receive), TX (transmit) and GND (ground). GND is shared with the IR IN port.

i **NOTE:** Typical DB9 connectors use pin 2 for TX, pin 3 for RX, and pin 5 for ground. On some devices functions of pins 2 and 3 are reversed.

Baud parameters must be met for control signals to pass. The parameters can be updated through the built in webGUI. The defaults for the RS-232 ports are: 9600, 8-bit, None, 1.

Commands

Command	Description
All#	Sets all input and outputs to the 1-to-1 state
APwrOffTime	Sets the power-off time interval
AutoPwr	Enables or disables automatic power-off on the unit
AutoSW	Enable or disables auto switching or display auto switching status
Blink	Enables or disables blinking of the POWER button on the front panel
CliIPAddr	Sets the IP address of the Telnet client
CliMode	Sets the login mode of the Telnet client
CliPass	Set the password for the Telnet client
CliPort	Sets the listening port of the Telnet client
CliUser	Sets the username for the Telnet client
CommaWait	Adds a 5 second delay between commands, when a comma is included
CSpara	Sets the baud rate, data bits, parity bit, and stop bits for the serial port
CtlType	Sets the control protocol used to communicate with the display device
EDIDMSet	Assigns an EDID to the specified input
EDIDOut	Copies the downstream EDID to memory.
HDCPSet	Sets the HDCP reporting mode for the specified input
help	Displays the available list of commands
InputBroadcast	Enables or disables broadcast mode
InputFormat	Returns the video format on the specified input
InputStatus	Displays the status for each input
IPCFG	Displays the current network settings for the AT-OME-MH21 / AT-OME-MH21-CP / AT-OME-MH21 / AT-OME-MH21-CP
IPDHCP	Enables or disables DHCP mode on the AT-OME-MH21 / AT-OME-MH21-CP / AT-OME-MH21 / AT-OME-MH21-CP
IPLogin	Enables or disables login credentials when starting a Telnet session
IPPort	Sets the Telnet listening port for the AT-OME-MH21 / AT-OME-MH21-CP / AT-OME-MH21 / AT-OME-MH21-CP
IPQuit	Closes the current Telnet session
IPStatic	Sets the static IP address, subnet mask, and gateway for the AT-OME-MH21 / AT-OME-MH21-CP / AT-OME-MH21 / AT-OME-MH21-CP
IPTimeout	Specifies the time interval of inactivity before the Telnet session is closed
IRSetCmd	Defines the IR command used by the AT-OME-MH21 / AT-OME-MH21-CP / AT-OME-MH21 / AT-OME-MH21-CP
List EDID	Displays a list of available internal EDID data
Lock	Locks the front panel buttons
Mreset	Resets the AT-OME-MH21 / AT-OME-MH21-CP / AT-OME-MH21 / AT-OME-MH21-CP to factory-default settings
ProjSWMode	Sets the time interval before the “display on” command is sent
ProjWarmUpT	Sets the display warm-up interval, in seconds
PWSTA	Displays the power status of the AT-OME-MH21 / AT-OME-MH21-CP
Reboot	Reboots the AT-OME-MH21 / AT-OME-MH21-CP
RepCmdTime	Sets the number of time a command will be sent
RepeatCmd	Enables or disables the RepCmdTime feature
RHostName	Displays the hostname of the unit
RS232zone	Send a command from the RS-232 port of the AT-OME-MH21 / AT-OME-MH21-CP

Command	Description
ScalerMode	Enables or disables the scaler on the AT-OME-MH21 / AT-OME-MH21-CP
SetCmd	Assigns an RS-232 or IP command to the specified button on the front panel
SHostName	Sets the hostname of the AT-OME-MH21 / AT-OME-MH21-CP
Status	Displays which input is routed to the HDMI output
System	Displays the status of the AT-OME-MH21 / AT-OME-MH21-CP
TrigCEC	Triggers the stored CEC command
TrigIP	Triggers the stored IP command
TrigIR	Triggers the stored IR command
TrigRS	Triggers the stored RS-232 command
Type	Displays the model of the transmitter
Unlock	Unlocks the front panel buttons
UsbCSS	Enables or disables the USB-C Super Speed mode
UsbHostRoute	Sets the routing state of the USB host
UsbMode	Sets the USB mode for the AT-OME-MH21 / AT-OME-MH21-CP
Version	Displays the current firmware version of the AT-OME-MH21 / AT-OME-MH21-CP
VOUtmute	Mutes / unmutes the output audio
x1\$	Enables or disables video output on the HDMI port
x1All	Routes the specified input to all outputs
x1AVx1	Routes the specified input to the HDMI output

All#

Resets all inputs and outputs to a 1-to-1 state. When set to the state, input 1 is routed to output 1, input 2 is routed to output 2, and so on.

Syntax

```
APwrOffTime X
```

This command does not require any arguments

Example

```
All#
```

Feedback

```
x1AVx1
```

APwrOffTime

Set the time interval, in seconds, before the command to power-off the display is sent, once an AV signal is no longer detected. Use the sta argument to display the current setting.

Syntax

```
APwrOffTime X
```

Parameter	Description	Range
X	Time interval	5 ... 3600, sta

Example

```
APwrOffTime 120
```

Feedback

```
APwrOffTime 120
```

AutoPwr

Enables or disables automatic power-off on the unit. Specify the sta argument to return the current state. Execute the APwrOffTime command to set the power-off time interval.

Syntax

```
AutoPwr
```

Parameter	Description	Range
X	State	on, off, sta

Example

```
AutoPwr on
```

Feedback

```
AutoPwr on
```

AutoSW

Enables or disables auto switching or display auto switching status.

Syntax

```
AutoSW X
```

Parameter	Description	Range
X	Value	on, off, sta

Example

```
AutoSW on
```

Feedback

```
AutoSW on
```

Blink

Enables or disables blinking of the **POWER** button on the front panel. When set to on, the **POWER** button will flash, alternating between red and blue, and can be used to physically identify the unit on a network. The **POWER** button will flash until the Blink off command is executed. on = enables blinking; off = disables blinking; sta = displays the current setting. The default setting is off.

Syntax

```
Blink X
```

Parameter	Description	Range
X	Value	on, off, sta

Example

```
Blink on
```

Feedback

```
Blink on
```

CliIPAddr

Sets the IP address of the controlled device. The IP address must be specified in dot-decimal notation. Use the sta argument to display the IP address of the device. DHCP must be disabled before using this command. Refer to the [IPDHCP](#) command for more information.

Syntax

```
CliIPAddr X
```

Parameter	Description	Range
X	IP address	0 ... 255 (per byte)

Example

```
CliIPAddr 192.168.1.61
```

Feedback

```
CliIPAddr 192.168.1.61
```


CliMode

Sets the login mode of the controlled device. login = requires login credentials, non-login = no login credentials required. Use the sta argument to display the current setting.

Syntax

```
CliMode X
```

Parameter	Description	Range
X	Value	login, non-login, sta

Example

```
CliMode login
```

Feedback

```
CliMode login
```

CliPass

Sets the password for the controlled device. Execute the CliPass command without arguments to display the current password. The default password is Atlona.

Syntax

```
CliPass X
```

Parameter	Description	Range
X	Password	20 characters (max.)

Example

```
CliPass R3ind33r
```

Feedback

```
CliPass R3ind33r
```

CliPort

Sets the listening port for the controlled device. Use the sta argument to display the current listening port. The default port is 23. Use the sta argument to display the current setting.

Syntax

```
CliPort X
```

Parameter	Description	Range
X	Port	0 ... 65535, sta

Example

```
CliPort 50
```

Feedback

```
CliPort 50
```

CliUser

Sets the username for the controlled device. Execute the CliUser command without arguments to display the current username.

Syntax

```
CliUser X
```

Parameter	Description	Range
X	Username	20 characters (max.)

Example

```
CliUser BigBoss
```

Feedback

```
CliUser BigBoss
```

CommaWait

Creates a 5-second delay between commands, when multiple commands are specified in the **Set command** fields, under the **RS-232/IP commands** section of the web GUI. Refer to the User Manual for more information. on = enable, off = disable. Use the sta argument to display the current setting.

Syntax

```
CommaWait X
```

Parameter	Description	Range
X	Value	on, off, sta

Example

```
CommaWait on
```

Feedback

```
CommaWait on
```

CSpara

Sets the baud rate, data bits, parity bit, and stop bits for the serial device. Use the sta argument to display the current serial port settings. Each argument must be separated by a comma; no spaces are permitted. Brackets must be used when executing this command.

Syntax

```
CSpara[W,X,Y,Z]
```

Parameter	Description	Range
W	Baud rate	2400, 4800, 9600, 19200, 38400, 57600, 115200
X	Data bits	7, 8
Y	Parity bit	None, Odd, Even
Z	Stop bits	1, 2

Example

```
CSpara[115200,8,0,1]
CSpara[sta]
```

Feedback

```
CSpara[115200,8,0,1]
CSpara [115200,8,0,1]
```

CtlType

Sets the control protocol used to communicate with the display device. Use the sta argument to display the current setting.

Syntax

```
CtlType X
```

Parameter	Description	Range
X	Value	rs-232, ip, cec, sta

Example

```
CtlType ip
```

Feedback

```
CtlType ip
```

EDIDMSet

Assigns an EDID to the specified input. The EDID can be either one of the internal preprogrammed EDIDs or a custom EDID that can be stored in memory. A brief description of each preprogrammed EDID is listed in the table below. Specify the `default` argument to use the downstream EDID. Specify the `save1` argument, in the second parameter, to use the EDID stored in memory. To return the EDID assigned to an input, use the `sta` argument.

Syntax

```
EDIDMSetX Y
```

Parameter	Description	Range
X	Input	1 ... 2
Y	EDID	default, int1 ... int7, save1, sta

Example

```
EDIDMSet1 int3
```

Feedback

```
EDIDMSet1 int3
```

EDID (parameter Y)	Description
int1	ATL 3840x2160P60 2CH
int2	ATL 1920x1200 2CH
int3	ATL 1920x1080P 2CH
int4	ATL 1366x768 2CH
int5	ATL 1280x800 2CH
int6	ATL 1280x720 2CH
int7	ATL 1024x768 2CH

EDIDOut

Copies the downstream EDID to memory.

Syntax

```
EDIDOut X
```

Parameter	Description	Range
X	Memory location	mem1

Example

```
EDIDOut mem1
```

Feedback

```
EDIDOut mem1
```

HDCPSet

Set the HDCP reporting mode of the specified port. Some computers will send HDCP content if an HDCP-compliant display is detected. on = reports to the source device that the display (sink) is HDCP-compliant, off = reports to the source device that the display (sink) is not HDCP-compliant (HDCP content will not be sent), auto = uses the attributes of the display device to accept or not accept HDCP content. Setting this value to off *does not* decrypt HDCP content. Use the sta argument to display the current setting.

Syntax

```
HDCPSet X
```

Parameter	Description	Range
X	Value	on, off, auto, sta

Example

```
HDCPSet 1 on
```

Feedback

```
HDCPSet 1 on
```

help

Displays the list of available commands. To obtain help on a specific command, enter the **help** command followed by the name of the command.

Syntax

```
help [X]
```

Parameter	Description	Range
X	Command name (optional)	Command

Example

```
help
```

Feedback

```
help
PWSTA
System
Type
Version
Blink
...
...
```

InputBroadcast

Enables or disables broadcast mode. The default setting is off.

Syntax

```
InputBroadcast X
```

Parameter	Description	Range
X	State	on, off, sta

Example

```
InputBroadcast on
```

Feedback

```
InputBroadcast on
```

InputFormat

Returns the video format on the specified input. No space should exist between the command and the argument.

Syntax

```
InputFormatX
```

Parameter	Description	Range
X	Input	1, 2

Example

```
InputFormat1
```

Feedback

```
3840x2160P29:8Bits RGB
```

InputStatus

Displays the status of the specified input as either a 0 or 1. If a source is detected on the input, then a 1 will be displayed. Inputs with no source connected will display a 0.

Syntax

```
InputStatusX
```

Parameter	Description	Range
X	User name	20 characters (max)

Example

```
InputStatus1
```

Feedback

```
InputStatus1 1
```

IPCFG

Displays the current network settings for the AT-OME-MH21 / AT-OME-MH21-CP.

Syntax

```
IPCFG
```

This command does not require any parameters

Example

```
IPCFG
```

Feedback

```
IP Addr 192.168.11.176
Netmask 255.255.255.0
Gateway 192.168.11.1
IP Port 23
```

IPDHCP

Enables or disables DHCP mode on the AT-OME-MH21 / AT-OME-MH21-CP. on = DHCP mode ON; off = DHCP mode OFF; sta = displays the current setting. If this feature is disabled, then a static IP address must be specified. The default setting is DHCP = ON.

Syntax

```
IPDHCP X
```

Parameter	Description	Range
X	Value	on, off, sta

Example

```
IPDHCP on
```

Feedback

```
IPDHCP on
```

IPLogin

Enables or disables the use of login credentials when initiating a Telnet session on the AT-OME-MH21 / AT-OME-MH21-CP. If this feature is set to on, then the AT-OME-MH21 / AT-OME-MH21-CP will prompt for both the username and password. Use the same credentials as the web GUI. on = login credentials required; off = no login required. Use the sta argument to display the current setting. The default setting is on.

Syntax

```
IPLogin X
```

Parameter	Description	Range
X	Value	on, off, sta

Example

```
IPLogin off
```

Feedback

```
IPLogin off
```

IPPort

Sets the TCP/IP listening port for the AT-OME-MH21 / AT-OME-MH21-CP.

Syntax

```
IPPort X
```

Parameter	Description	Range
X	Port	0 ... 65535, sta

Example

```
IPPort 230
```

Feedback

```
IPPort 230
```

IPQuit

Closes the current Telnet session.

Syntax

```
IPQuit
```

This command does not require any arguments

Example

```
IPPort 230
```

Feedback

```
IPPort 230
```


IPStatic

Sets the static IP address, subnet mask, and gateway (router) address of the AT-OME-MH21 / AT-OME-MH21-CP. Before using this command, DHCP must be disabled on the AT-OME-MH21 / AT-OME-MH21-CP. Refer to the [IPDHCP](#) command for more information. Each argument must be entered in dot-decimal notation and separated by a space. The default static IP address of the AT-OME-MH21 / AT-OME-MH21-CP is 192.168.1.254.

Syntax

```
IPStatic X Y Z
```

Parameter	Description	Range
X	IP address	0 ... 255 (per byte)
Y	Subnet mask	0 ... 255 (per byte)
Z	Gateway (router)	0 ... 255 (per byte)

Example

```
IPStatic 192.168.1.112 255.255.255.0 192.168.1.1
```

Feedback

```
IPStatic 192.168.1.112 255.255.255.0 192.168.1.1
```

IPTimeout

Specifies the time interval of inactivity before the TCP/IP session is terminated. When terminated, both the Telnet and web GUI session will be closed. The default setting is 300 seconds.

Syntax

```
IPTimeout X
```

Parameter	Description	Range
X	Interval (in seconds)	1 ... 60000

Example

```
IPTimeout 300
```

Feedback

```
IPTimeout 300
```

IRSetCmd

Defines the IR command used by the AT-OME-MH21 / AT-OME-MH21-CP to perform the specified function on the display (sink) device. For example, to define the “display off” command, use the `off` argument as the first parameter, then locate the equivalent “power off” command for the display by consulting the display’s User Manual. Specify the command as the second argument.

Syntax

```
IRSetCmd X[Y]
```

Parameter	Description	Range
X	Action	on, off, vol+, vol-, mute, muteon, muteoff, input
Y	Command	String, sta

Example

```
IRSetCmd off poweroff
```

Feedback

```
IRSetCmd off poweroff
```

List EDID

Displays the full of internal EDID banks and their corresponding numbers.

Syntax

```
List EDID
```

This command does not require any arguments

Example

```
List EDID
```

Feedback

```
IntEDID_1:ATL 3840x2160P60 2CH
IntEDID_2:ATL 1920x1200 2CH
IntEDID_3:ATL 1920x1080P 2CH
IntEDID_4:ATL 1366x768 2CH
IntEDID_5:ATL 1280x800 2CH
IntEDID_6:ATL 1280x720 2CH
IntEDID_7:ATL 1024x768 2CH
```

Lock

Locks the buttons on the front panel. This feature is useful when the unit is installed in a rack environment or other remote location, to prevent accidental pressing of the front-panel buttons. Also refer to the [Unlock](#) command.

Syntax

```
Lock
```

This command does not require any parameters

Example

```
Lock
```

Feedback

```
Lock
```

Mreset

Resets the AT-OME-MH21 / AT-OME-MH21-CP to factory-default settings.

Syntax

```
Mreset
```

This command does not require any parameters

Example

```
Mreset
```

Feedback

```
Mreset
```

ProjSWMode

Sets the time interval before the “display on” command is sent. This value should be the same as the projector’s delay setting. Use the `sta` argument to display the current setting.

Syntax

```
ProjSWMode X
```

Parameter	Description	Range
X	Time interval	0 ... 300, sta

Example

```
ProjSWMode 120
```

Feedback

```
ProjSWMode 120
```

ProjWarmUpT

Sets the display warm-up interval, in seconds. During this time, the display will not accept any commands until the “power on” command has been processed. Use the sta argument to display the current setting.

Syntax

```
ProjWarmUpT X
```

Parameter	Description	Range
X	Time interval	0 ... 300, sta

Example

```
ProjWarmUpT 120
```

Feedback

```
ProjSWMode 120
```

PWSTA

Displays the current power state of the AT-OME-MH21 / AT-OME-MH21-CP.

Syntax

```
PWSTA
```

This command does not require any parameters

Example

```
PWSTA
```

Feedback

```
PWON
```

Reboot

Executing this command will reboot the unit. All unit settings will remain unchanged.

Syntax

```
Reboot
```

This command does not require any parameters

Example

```
Reboot
```

Feedback

```
Reboot
```

RepCmdTime

Sets the number of time a command will be sent. Some devices may require that a command be sent multiple times before an acknowledge message is sent back to the AT-OME-MH21 / AT-OME-MH21-CP. Specify the sta argument to display the current setting.

Syntax

```
RepCmdTime X
```

Parameter	Description	Range
X	Times to repeat command	2 ... 4, sta

Example

```
RepCmdTime 3
```

Feedback

```
RepCmdTime 3
```

RepeatCmd

Enables or disables the **RepCmdTime** feature. Specify the sta argument to display the current setting.

Syntax

```
RepeatCmd X
```

Parameter	Description	Range
X	Status	on, off, sta

Example

```
RepeatCmd on
```

Feedback

```
RepeatCmd on
```

RHostName

Displays the hostname of the unit. Execute the **SHostName** command to set the hostname.

Syntax

```
RHostName
```

This command does not require any parameters

Example

```
RHostName
```

Feedback

```
RHostName OMEMH21-068823
```

RS232zone

Sends commands to the HDBaseT device. Refer to the User Manual of the display device for a list of available commands. Brackets must be used when specifying the command argument. The command line must not contain any spaces.

Syntax

```
RS232zone[X]
```

Parameter	Description	Range
X	Command	String

Example

```
RS232zone[poweron]
```

Feedback

```
RS232zone[poweron]
```

ScalerMode

Sets the scaler mode. When set to OFF, the scaler is bypassed, and the output signal will be the same as the input signal. The default value is OFF. Specify the sta argument to return the current setting.

Syntax

```
ScalerMode X
```

Parameter	Description	Range
X	State	on, off, sta

Example

```
ScalerMode on
```

Feedback

```
ScalerMode on
```

SetCmd

Defines the command used by the AT-OME-MH21 / AT-OME-MH21-CP, to perform the specified function on the display (sink) device. For example, to define the “power off” command, locate the equivalent “power off” command for the display by consulting the display’s User Manual. Once the desired command is located, assign it to the equivalent command used by the AT-OME-MH21 / AT-OME-MH21-CP.

Syntax

```
SetCmd X[Y]
```

Parameter	Description	Range
X	Action	on, off, vol+, vol-, mute, fbkoff, fbkon, fbkmute
Y	End-of-Line (EOL) character	None, CR, LF, CRLF, Space

Example

```
SetCmd on CRLF
```

Feedback

```
SetCmd on CRLF [PWON]
```

SHostName

Sets the hostname of the unit. The hostname can be changed to easily identify the unit within the Atlona Management System (AMS) or a network. If using a custom hostname, it must meet the hostname standards defined here: <https://tools.ietf.org/html/rfc1123>

Syntax

```
SHostName X
```

Parameter	Description	Range
X	Name	String (maximum 15 characters)

Example

```
SHostName MH21_ConfRm
```

Feedback

```
SHostName MH21_ConfRm
```

Status

Displays which input is connected to output 1. The parameter 1 is required.

Syntax

```
StatusxY
```

Parameter	Description	Range
Y	Output (required)	1

Example

```
Statusx1
```

Feedback

```
x1AVx1
```

System

Displays the status of the AT-OME-MH21 / AT-OME-MH21-CP. The dev argument will display verbose format. The sta argument will display pretty information.

Syntax

```
System X
```

Parameter	Description	Range
X	Request	sta, dev

Example

```
Status sta
```

Feedback

```
Model: AT-OME-MH21 / AT-OME-MH21-CP
MAC Addr: B8-98-B0-06-88-23
Address Type: DHCP
IP Addr: 192.168.11.176
Netmask: 255.255.255.0
Gateway: 192.168.11.1
HTTP Port: 80
Telnet Port: 23
SSH Port: 22
Firmware: 0.5.23_DS01
On/Up Time <dd HH:mm:ss>: 00 02:13:20
```

TrigCEC

Sends the specified command to the display using CEC. The output must always be specified and set to the value of 1. Do not add a space between the command and the first argument.

Syntax

```
TrigCECX Y
```

Parameter	Description	Range
X	Zone	1
Y	Command	on, off, vol+, vol-, mute

Example

```
TrigCEC1 on
```

Feedback

```
TrigCEC1 on
```


TrigIP

Sends the specified command to the display using IP. Do not add a space between the command and the first argument.

Syntax

```
TrigIPX Y
```

Parameter	Description	Range
X	TCP	1, 2
Y	Command	on, off, vol+, vol-, mute

Example

TrigIP1 on

Feedback

TrigIP1 on

TrigIR

Sends the specified command to the display using IR. Do not add a space between the command and the first argument.

Syntax

```
TrigIR X
```

Parameter	Description	Range
Y	Power state	on, off, vol+, vol-, mute

Example

TrigIR on

Feedback

TrigIR on

TrigRS

Sends the specified command to the display using RS-232. The output must always be specified and set to the value of 1. Do not add a space between the command and the first argument.

Syntax

```
TrigRSX Y
```

Parameter	Description	Range
X	Zone	1
Y	Power state	on, off, vol+, vol-, mute

Example

TrigRS1 on

Feedback

TrigRS1 on

Type

Displays the SKU of the AT-OME-MH21 / AT-OME-MH21-CP.

Syntax

```
Type
```

This command does not require any parameters

Example

```
Type
```

Feedback

```
AT-OME-MH21 / AT-OME-MH21-CP
```

Unlock

Unlocks the buttons on the front panel. Also refer to the [Lock](#) command.

Syntax

```
Unlock
```

This command does not require any parameters

Example

```
Unlock
```

Feedback

```
Unlock
```

UsbCSS

Enables or disables the USB-C port Super Speed feature. This feature is enabled by default. Specify the sta argument to return the current setting.

Syntax

```
UsbCSS X
```

Parameter	Description	Range
Y	State	on, off, sta

Example

```
UsbCSS on
```

Feedback

```
UsbCSS on
```

UsbMode

Sets the USB mode for the AT-OME-MH21 / AT-OME-MH21-CP. Specify the sta argument to return the current setting.

Syntax

```
UsbMode X
```

Parameter	Description	Range
X	Mode	follow usb, manual, sta

Example

```
UsbMode follow usb
```

Feedback

```
UsbMode follow usb
```

UsbHostRoute

Sets the routing state of the USB host. 1 = USB-C, 2 = USB HOST. Specify the sta argument to return the current setting.

Syntax

```
USBHostRoute X
```

Parameter	Description	Range
X	Port	1, 2

Example

```
UsbHostRoute 1
```

Feedback

```
UsbHostRoute 1
```

Version

Displays the current firmware version of the unit.

Syntax

```
Version
```

This command does not require any parameters

Example

```
Version
```

Feedback

```
0.5.23_DS01
```

VOUTMute

Enables or disables muting of the output audio. Specify the sta argument to return the current setting.

Syntax

```
VOUTMute X
```

Parameter	Description	Range
X	State	on, off, sta

Example

```
VOUTMute on // enable muting
```

Feedback

```
VOUTMute on
```

x1\$

Enables or disables video output on the HDMI port. Specify the sta argument to return the current setting.

Syntax

```
x1$ Y
```

Parameter	Description	Range
Y	State	on, off, sta

Example

```
x1$ off // disable video
```

Feedback

```
x1$ off
```

x1All

Routes the specified input to all outputs.

Syntax

```
x1All
```

Parameter	Description	Range
X	Input	1, 2

Example

```
x1All
```

Feedback

```
x1AVx1
```

x1AVx1

Routes the specified input to the HDMI output.

Syntax

```
xXAVx1
```

Parameter	Description	Range
X	Input	1 (USB-C), 2 (HDMI)

Example

```
x2AVx1
```

Feedback

```
x2AVx1
```

